

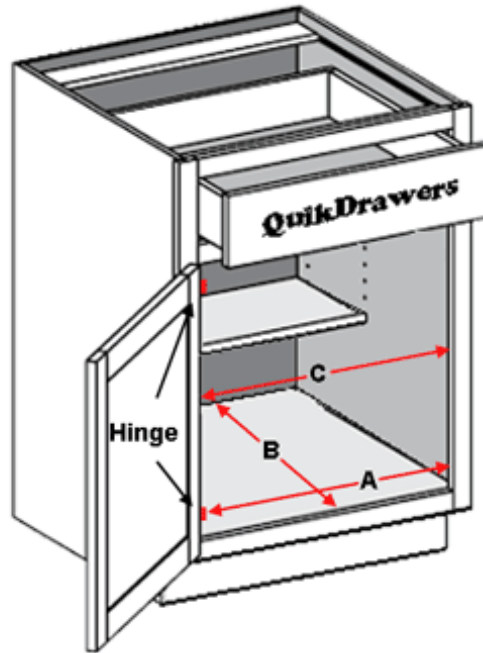


## Single Door Half Depth Middle Shelf Worksheet

Uses 4 "L" Bracket Installation On Bottom & 2 "L" Bracket Installation For Upper Shelf

The *half depth middle shelf* type cabinet will use:

- 4 "L" bracket method of installation for base shelves
- 2 "L" bracket method for upper half shelves



2 "L" bracket installation with half depth middle shelves

4 "L" bracket installation for base shelf

- A** - From hinge (if present) to other side of opening
- B** - From rear wall to inside of face frame
- C** - From opening edge to other side of opening

- A** Record the measurement from hinge to opposite side of opening. If there is no hinge, then measure from side of opening to opposite side of opening.
- B** Record the measure from the rear wall to the inside edge of the front face frame
- C** Record the distance from one side of the opening to the opposite side of the opening. This measurement should be clear of any hinges

<u>Cabinet #</u>	<u>"A"</u>	<u>"B"</u>	<u>"C"</u>
_____	_____	_____	_____
_____	_____	_____	_____
_____	_____	_____	_____
_____	_____	_____	_____
_____	_____	_____	_____