



The Cabinet Guy & QuikDrawers

Custom Valance Specification Form

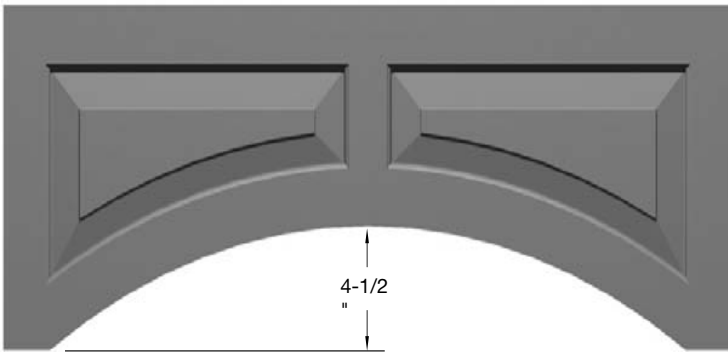
The Cabinet Guy offers a wide variety of arched panel configurations and options. Valances illustrated on the following pages represent popular custom arched panel designs. The manufacturing of custom valances is based off of customer-supplied dimensioned drawings. **If any of the following illustrations below match the look you desire, please copy the appropriate page, designate needed dimensions and fax to Customer Service.**

Arched panel valances are available in most mortise and tenon and miter designs. Applied moulding designs, while commonly available, depend on the radius of the panel.

Design options include, but are not limited to all included panel raises and framing beads, grooved panels, and wide framing.

A CAD drawing will be created prior to the manufacturing of any custom arched panel. After a review and sign off by the customer, the drawing must be faxed or scanned and emailed back to The Cabinet Guy in order for production to begin. Lead-time calculations will not begin until The Cabinet Guy has received an approved drawing.

General Information



Arched Valance Base Charge

Valances 30" to 48" – Design Charge \$160.00

Valances 51" to 72" – Design Charge \$190.00

Arched Raised Valance Offering and Availability

Arched Raised Panel Valances are available only in three inch wide increments from 30" to 72".

Minimum size is 30" wide x 12-1/2" high. Framing widths: 2-3/4" stiles, 2-5/16" rails, 2-1/2" upright mid-rail. The rise is always 4-1/2", regardless of valance width.

Horizontal grain panels are standard, vertical grain is available with a \$35.00 per valance upcharge.

Design standard as shown. Individual designs, including applied moulding, must be ordered through Special Designs.



The Cabinet Guy & QuikDrawers

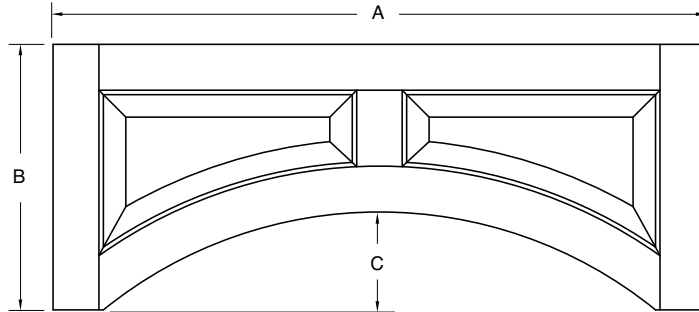
Custom Valance Specification Form

Custom Valance Information Form

Input dimensions to nearest 1/16"

Design Option A

- Framing widths will match door style selected unless otherwise noted by customer.
- Please provide appropriate sizes when ordering.



Sizes

A _____

B _____

C _____

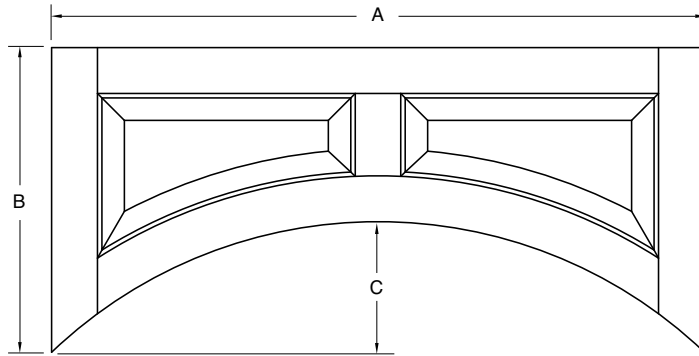
Grain Direction

Vertical _____

Horizontal _____

Design Option B

- Framing widths will match door style selected unless otherwise noted by customer.
- Please provide appropriate sizes when ordering.



Sizes

A _____

B _____

C _____

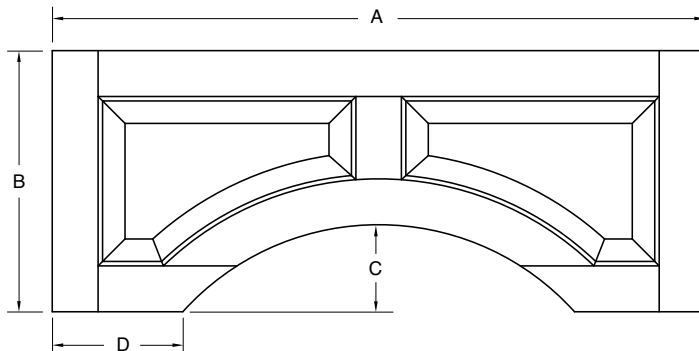
Grain Direction

Vertical _____

Horizontal _____

Design Option C

- Framing widths will match door style selected unless otherwise noted by customer.
- Please provide appropriate sizes when ordering.



Sizes

A _____

B _____

C _____

D _____

Grain Direction

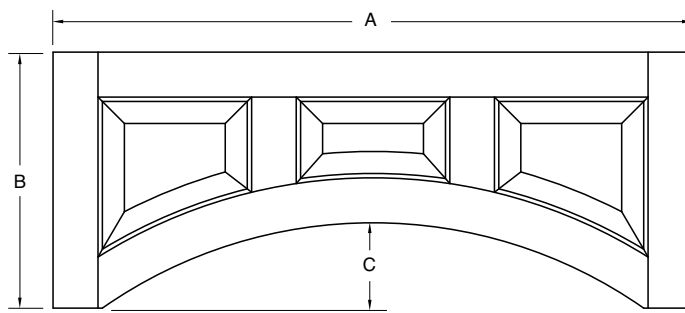
Vertical _____

Horizontal _____

Input dimensional information on either page 2 or 3 and choose your panel profile and framing bead from page 4. Communicate any other specific information to Sales Dept.

Design Option D

- Framing widths will match door style selected unless otherwise noted by customer.
- Please provide appropriate sizes when ordering.



Sizes

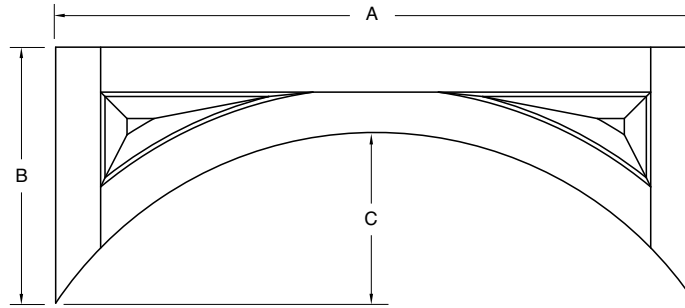
A _____
B _____
C _____

Grain Direction

Vertical _____
Horizontal _____

Design Option E

- Framing widths will match door style selected unless otherwise noted by customer.
- Please provide appropriate sizes when ordering.
- Available with horizontal grain only.

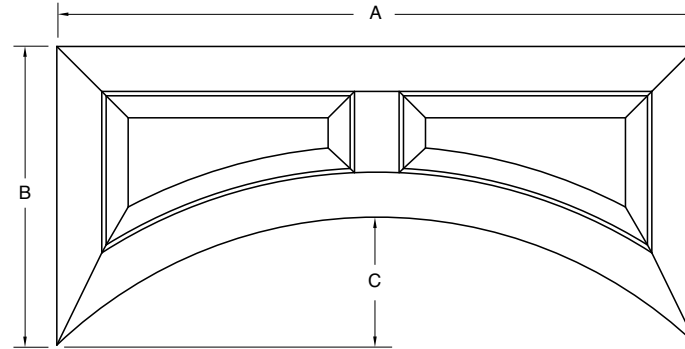


Sizes

A _____
B _____
C _____

Design Option F

- Framing widths will match door style selected unless otherwise noted by customer.
- Please provide appropriate sizes when ordering.



Sizes

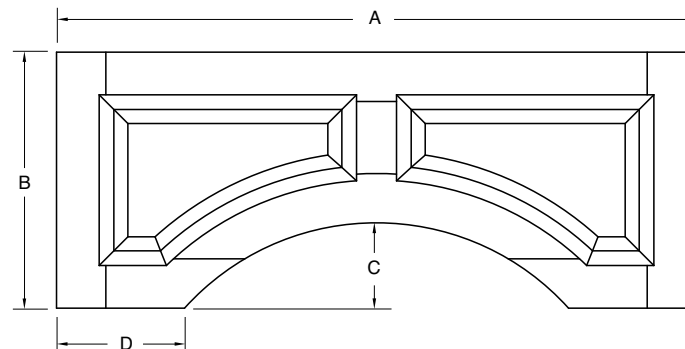
A _____
B _____
C _____

Grain Direction

Vertical _____
Horizontal _____

Design Option G (applied moulding)

- Framing widths will match door style selected unless otherwise noted by customer.
- Please provide appropriate sizes when ordering.



Sizes

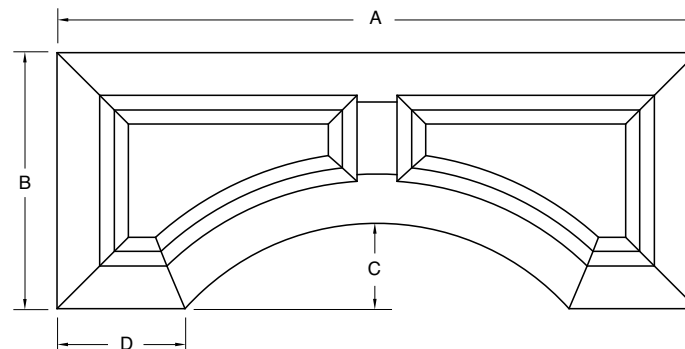
A _____
B _____
C _____
D _____

Grain Direction

Vertical _____
Horizontal _____

Design Option H

- Framing widths will match door style selected unless otherwise noted by customer.
- Please provide appropriate sizes when ordering.



Sizes

A _____
B _____
C _____
D _____

Grain Direction

Vertical _____
Horizontal _____



The Cabinet Guy & QuikDrawers

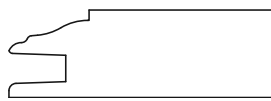
Custom Valance Specification Form

Framing Beads (For valance inside edge profile)



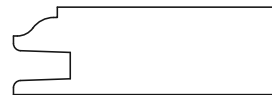
Regular

3/4" and 1"



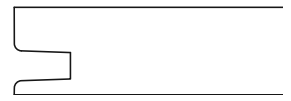
Elite

3/4" only



Ogee

3/4" and 1"



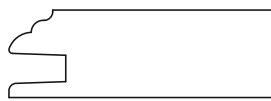
Square

3/4" and 1"



F-007

3/4" only



F-877

3/4" only

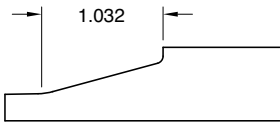


F-1223

3/4" only

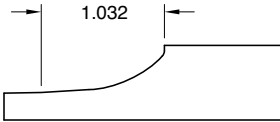
Images are not to scale

Panel Raises (Dimensions shown below for 3/4" thick valances only)



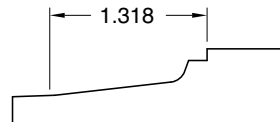
Slant

3/4" and 1" Doors



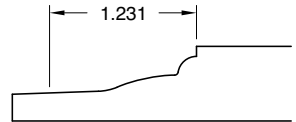
G-Cove

3/4" and 1" Doors



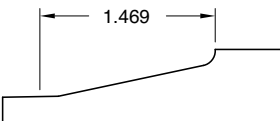
Louis XIII

3/4" Doors only



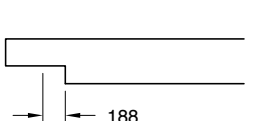
M-Bead

3/4" and 1" Doors



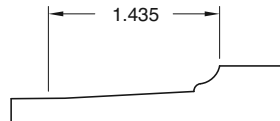
P-008

3/4" and 1" Doors



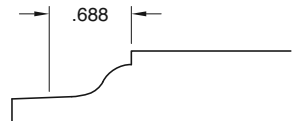
P-057

3/4" and 1" Doors



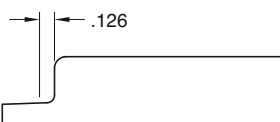
P-106

3/4" Doors only



P-125

3/4" Doors only



P-225*

3/4" Doors only



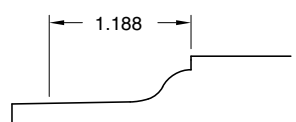
P-420

3/4" Doors only



P-602

3/4" Doors only



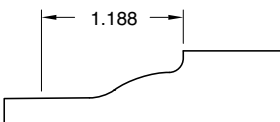
Presidential

3/4" Doors only



Reverse G-Cove

3/4" and 1" Doors



RM

3/4" and 1" Doors

Images are not to scale

*P-225 raise not available when Colourtones or primers are ordered.

All published 3/4" raises are available in hybrid products except P-106. Hybrid products consist of MDF panel and solid wood framing. 3/4" thick doors measure 5/8" finished panel thickness except Reverse G-Cove and P-057 which measure 3/8" thick and P-106 which measures 1/2" thick.