

# TANDEM plus BLUMOTION 563H

Product info
TANDEM plus BLUMOTION
New product

## Application



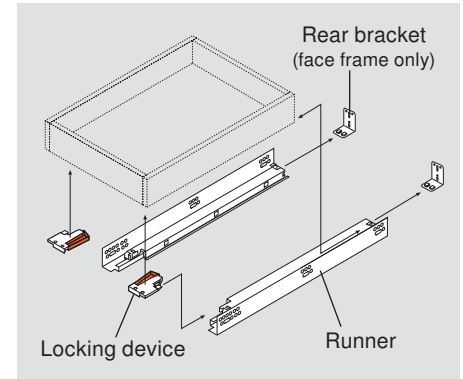
## New features

- Four-dimensional adjustment
- Elongated holes for depth adjustment
- Bottom mount holes on 15", 18" and 21"
- 100 lb static load capacity

## Also features

- Full extension concealed drawer runners
- Face frame or panel cabinets
- BLUMOTION soft closing
- TANDEM smooth running action
- Available in 9" to 21" lengths
- 13 (1/2") to 16 (5/8") drawer thickness
- Made in the U.S.A.

## Basic components



## Components

Runner set			
One set required per drawer			
	For overall cabinet depth	Drawer length	TANDEM plus BLUMOTION
	305 (12")	229 (9")	563H2290B10
	381 (15")	305 (12")	563H3050B
	457 (18")	381 (15")	563H3810B
	533 (21")	457 (18")	563H4570B
	610 (24")	533 (21")	563H5330B
	Wood screw for installation		
System screw for installation			662.1150.HG

Side adjustable locking device		Bottom mount holes				
	<ul style="list-style-type: none"> <li>■ Minimum inside drawer width 170 (6-11/16")</li> <li>■ Height adjustment +3 (1/8")</li> <li>■ Side adjustment ±1.5 (1/16")</li> <li>■ For use with 563/569 series runners only</li> </ul>					
	Part no.	Runner	563H5330B	563H4570B	563H3810B	
Right and left required per drawer	Right locking device	T51.1901 R	X	448 (17-5/8")	378 (14-7/8")	319 (12-9/16")
	Left locking device	T51.1901 L				
	Installation screw	606N or 606P				

Depth adjustable locking device		Rear mounting bracket for frame cabinets		
	<ul style="list-style-type: none"> <li>■ Optional for inset applications</li> <li>■ Offers 2.5 (3/32") out adjustment, preset at 0</li> <li>■ Height adjustment +3 (1/8")</li> <li>■ Side adjustment ±1.5 (1/16")</li> <li>■ For use with 563/569 series runners only</li> <li>■ Minimum sub front thickness 13 (1/2")</li> <li>■ Designed for 13 (1/2") bottom recess</li> <li>■ Integrated 3 (1/8") distance bumper</li> <li>■ See LIT.TDM1100 for setback information</li> </ul>			
	Part no.	For use when installing TANDEM runners in face frame cabinets. Not necessary for panel cabinet installation.		
Right and left required per drawer	Right locking device	T51.1901.PS R	<ul style="list-style-type: none"> <li>■ Two required per drawer</li> <li>■ Depth and side-to-side self-alignment</li> <li>■ Zinc-coated steel</li> <li>■ See the TANDEM brochure (LIT.TDM1100) brochure for 9" rear attachment options</li> </ul>	
	Left locking device	T51.1901.PS L	Part no.	
	Installation screw	606N or 606P	Non-handed bracket	295.3750.01
			Installation screw	606N or 606P

Maximum drawer thickness **16 (5/8")**

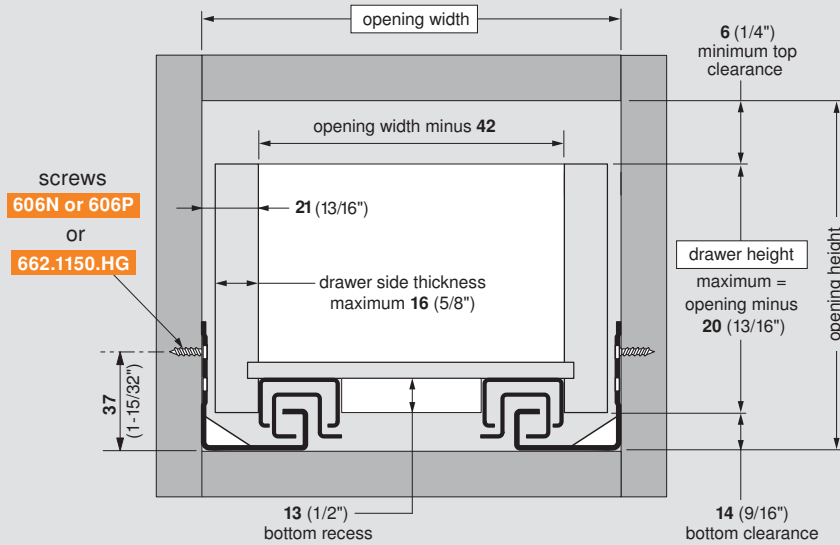
Lengths available **9" - 21"**

Static load capacity **100 lb**

### Drawer and cabinet specifications

#### Front view

##### Front view



**NOTE:** Material thickness may vary. Inside drawer width **must** equal opening width minus 42 for TANDEM to align and run properly.

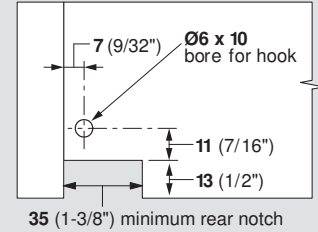
#### Calculating outside drawer width

For drawer side thickness	<b>16 (5/8")</b>	<b>15 (19/32")</b>	<b>14 (9/16")</b>	<b>13 (1/2")</b>	<b>12 (15/32")</b>
Deduct from inside cabinet width	<b>10 (13/32")</b>	<b>12 (15/32")</b>	<b>14 (9/16")</b>	<b>16 (5/8")</b>	<b>18 (23/32")</b>

**Example:** For 21" opening width and a 5/8" thick drawer, 21" minus 13/32" = 20-19/32" drawer width

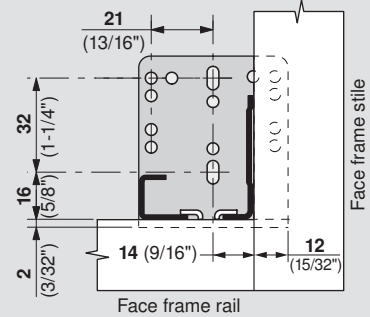
#### Drawer back preparation

##### Rear view



#### Rear mounting bracket

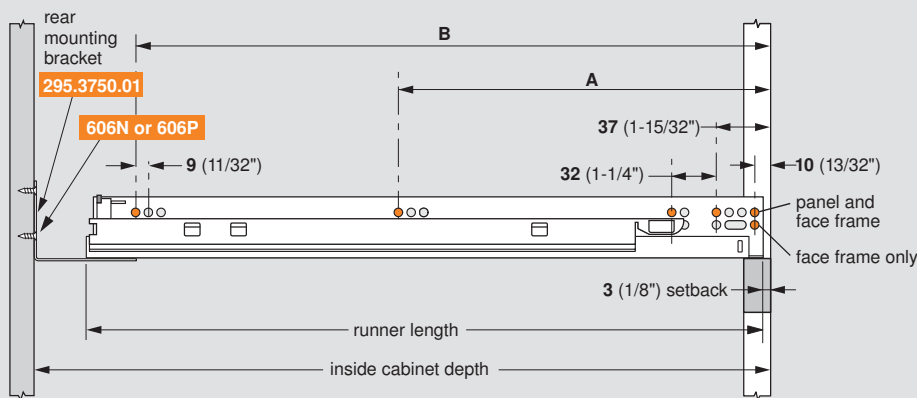
##### Front view



**NOTE:** For frame applications, use a minimum of three screws per bracket

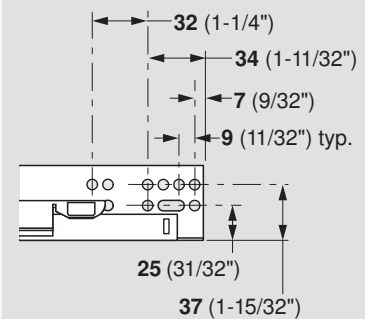
### Runner mounting specifications

#### Side view



**NOTE:** The orange dots indicate fixing screw locations required to meet specified load ratings.

#### Runner close-up



**NOTE:** Elongated holes are for  $\pm 4.5 (3/16")$  depth adjustment only. Additional screws must be used to secure the runner to the cabinet.

TANDEM plus BLUMOTION	drawer length	inside cabinet depth with rear attachment		runner length	screw locations for panel cabinets	
		maximum	minimum		A	B
563H2290B10	229 (9")	299 (11-25/32")	266 (10-15/32")	259 (10-3/16")	133 (5-1/4")	229 (9")
563H3050B	305 (12")	370 (14-9/16")	328 (12-29/32")	319 (12-9/16")	165 (6-1/2")	261 (10-9/32")
563H3810B	381 (15")	446 (17-9/16")	404 (15-29/32")	395 (15-9/16")	165 (6-1/2")	357 (14-1/16")
563H4570B	457 (18")	522 (20-9/16")	480 (18-29/32")	471 (18-17/32")	261 (10-9/32")	453 (17-27/32")
563H5330B	533 (21")	599 (23-19/32")	557 (21-15/16")	548 (21-9/16")	261 (10-9/32")	517 (20-11/32")