

TANDEM plus BLUMOTION 563F

Application



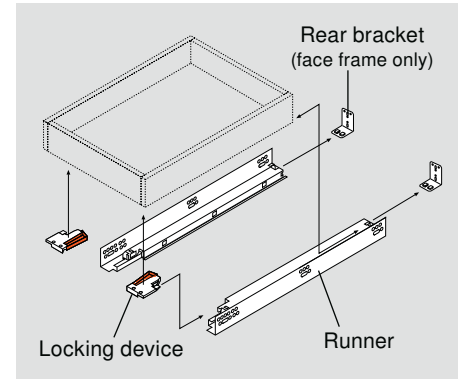
New features

- Four-dimensional adjustment
- Elongated holes for depth adjustment
- Bottom mount holes on 15", 18" and 21"
- 100 lb static load capacity

Description

- Full extension concealed drawer runners
- Face frame or panel cabinets
- BLUMOTION soft closing
- TANDEM smooth running action
- Available in 9" to 21" lengths
- 16 (5/8") to 19 (3/4") drawer thickness
- **Made in the U.S.A.**

Basic components



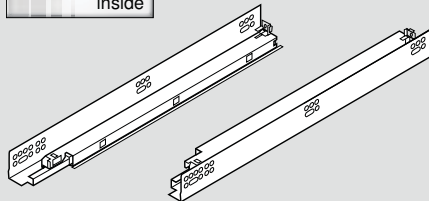
Other applications



Components

Runner set

One set required per drawer



For overall cabinet depth	Drawer length	Extension loss	TANDEM plus BLUMOTION
305 (12")	229 (9")	16 (5/8")	563F2290B10
381 (15")	305 (12")	24 (15/16")	563F3050B
457 (18")	381 (15")	14 (9/16")	563F3810B
533 (21")	457 (18")	3 (1/8")	563F4570B
610 (24")	533 (21")	3 (1/8")	563F5330B
Wood screw for installation			606N or 606P
System screw for installation			662.1150.HG

Side adjustable locking device



- One right and one left required per drawer
- With side-to-side adjustment
- Captive right and self-aligning left device
- Self-adjusting drawer length tolerance
- Steel base with synthetic, spring-loaded release levers
- Minimum inside drawer width 170 (6-11/16")
- Height adjustment +3 (1/8")
- Side adjustment ±1.5 (1/16")
- For use with 563/569 series runners only
- For other options see page 30

Part no.

Right locking device **T51.1901 R**

Installation Left locking device **T51.1901 L**

page 11 Installation screw **606N or 606P**

Rear mounting bracket for frame cabinets



For use when installing TANDEM runners in face frame cabinets. Not necessary for panel cabinet installation.

- Two required per drawer
- Depth and side-to-side self-alignment
- Zinc-coated steel
- For 9" TANDEM rear attachment options see page 32

Part no.

Non-handed bracket **295.3750.01**

Installation screw **606N or 606P**

Using TANDEM page 10

Drawer preparation page 11

Accessories page 40

Assembly aids page 42

Maximum drawer thickness **19 (3/4")**

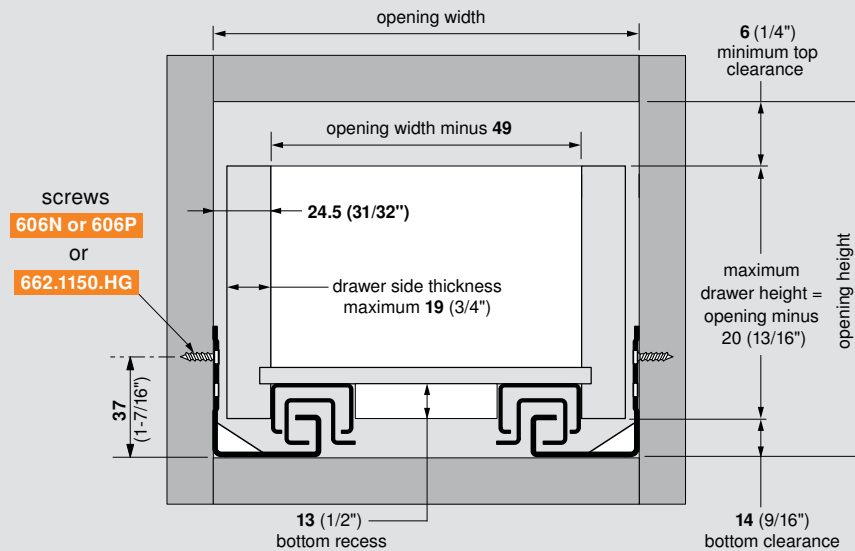
Lengths available **9" - 21"**

Load capacity **100 lb**

Drawer and cabinet specifications

Drawer box Specifications

Front view



NOTE: Material thickness may vary. Inside drawer width **must** equal opening width minus 49 for TANDEM to align and run properly.

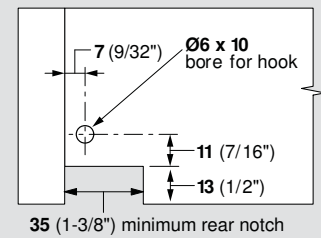
Calculating outside drawer width

For drawer side thickness	19 (3/4")	18 (23/32")	17 (21/32")	16 (5/8")	15 (19/32")
Deduct from inside cabinet width	11 (7/16")	13 (1/2")	15 (19/32")	17 (21/32")	19 (3/4")

Example: For 21" opening width and a 3/4" thick drawer, 21" minus 7/16" = 20-9/16" drawer width

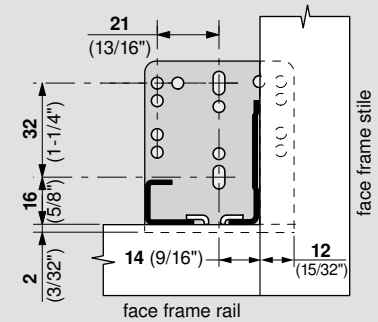
Drawer back preparation

Rear view



Rear mounting bracket

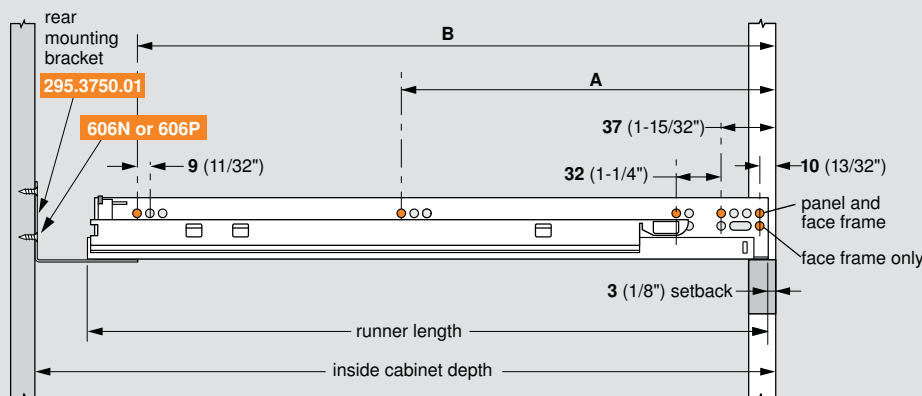
Side view



NOTE: For frame applications, use a minimum of three screws per bracket

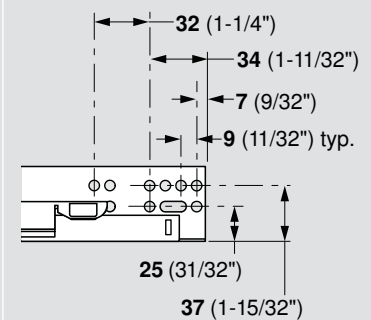
Runner mounting specifications

Side view



NOTE: The orange dots indicate fixing screw locations required to meet specified load ratings.

Runner close-up



NOTE: Elongated holes are for ±4.5 (3/16") depth adjustment only. Additional screws must be used to secure the runner to the cabinet.

TANDEM plus BLUMOTION	drawer length	inside cabinet depth with rear attachment		runner length	screw locations for panel cabinets	
		maximum	minimum		A	B
563F2290B10	229 (9")	299 (11-25/32")	266 (10-15/32")	259 (10-3/16")	133 (5-1/4")	229 (9")
563F3050B	305 (12")	370 (14-9/16")	328 (12-29/32")	319 (12-9/16")	165 (6-1/2")	261 (10-9/32")
563F3810B	381 (15")	446 (17-9/16")	404 (15-29/32")	395 (15-9/16")	165 (6-1/2")	357 (14-1/16")
563F4570B	457 (18")	522 (20-9/16")	480 (18-29/32")	471 (18-17/32")	261 (10-9/32")	453 (17-27/32")
563F5330B	533 (21")	599 (23-19/32")	557 (21-15/16")	548 (21-9/16")	261 (10-9/32")	517 (20-11/32")