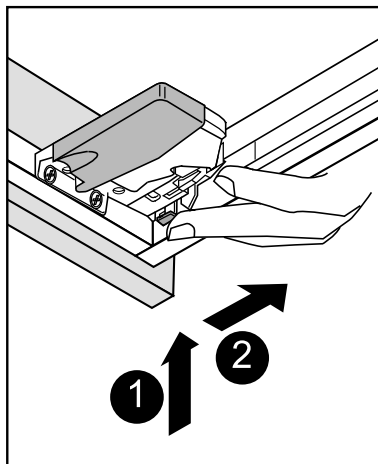


Drawer Front Adjustments

TANDEM series

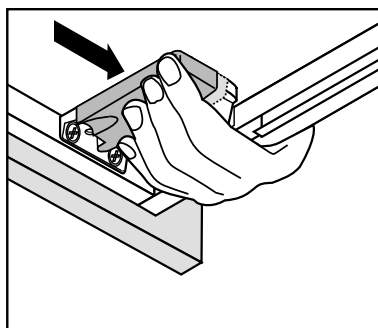
Height Adjustment



1. Press down on adjustment latch.
2. Push latch towards back of drawer after pressing down.

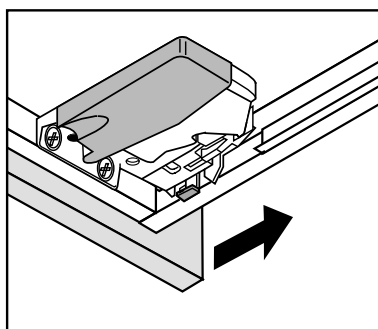
Provides upward adjustment only.

Removal and Installation



Drawer Removal

1. Reach under the drawer and squeeze the orange handles of both locking devices.
2. While holding the handles, pull the drawer straight out and lift it off the runners.



Drawer Installation

1. Place drawer on the runners (either extended or retracted) and close.
2. The locking devices will automatically engage with the runners. Open drawer completely to confirm that both locking devices have engaged.