

# Lateral Stabilizer for 563/569

## Application



## Description

- Increases lateral stability
- Synchronizes left and right runners to prevent drawer racking
- Ideal for wide applications using TANDEM 563/569 H/, and F/A series
- Does not increase load capacity

## Specifications

- Panel and blocked-out face frame applications  
**229** (9") to **686** (27") length drawers
- Face frame applications with rear attachment  
**305** (12") to **533** (21") length drawers
- Recommended for opening widths  
**610** (24") and wider



## Lateral stabilizer set



### Set includes:

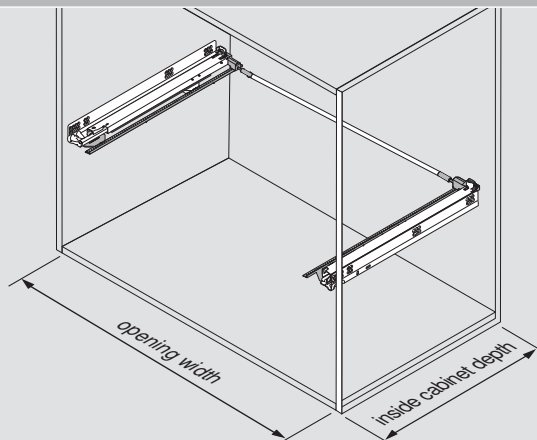
- 1 Pinion housing (qty 2)
  - 2 Gear rack with locating tabs (qty 2)
  - 3 Linkage rod, length **887** (34-29/32")
  - 4 Pinion adapter (qty 2)
  - 5 Locking clip (qty 2)
- Installation instructions

Part no.

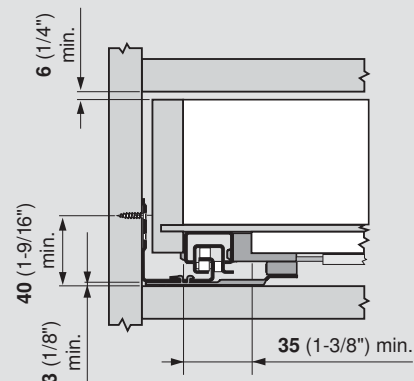
Lateral stabilizer set

**ZST.686TU**

## Space requirements



- Maximum opening width **1185** (46-21/32")
- Minimum inside cabinet depth = setback + runner length + **18** (23/32")

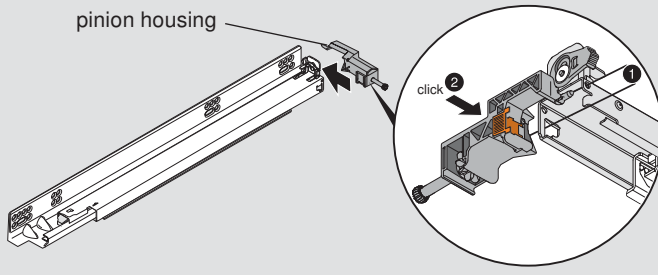


**NOTE:** TANDEM runners will sit **3 (1/8")** higher when using the lateral stabilizer in bottom mount applications and may have to be raised for some bottom mount drawer applications using SERVO-DRIVE

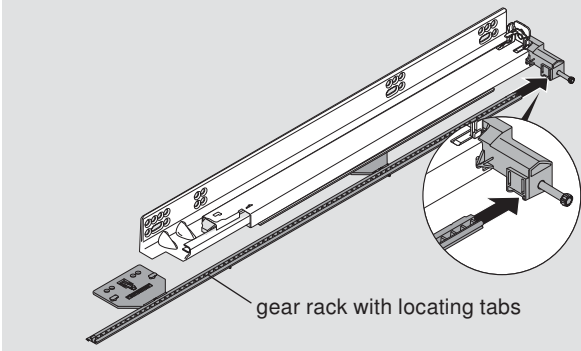
## Installation instructions

### Step 1 — Attach left and right pinion housings

- 1 Insert locating pins into TANDEM runner
- 2 Press orange locking clips to lock into place

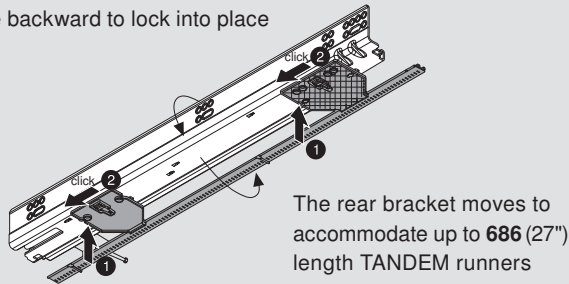


### Step 2 — Slide gear racks into pinion housings

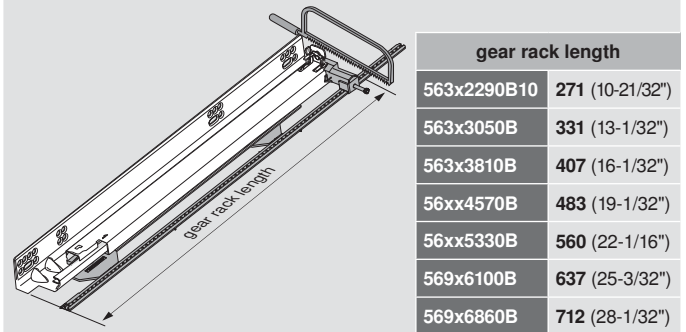


### Step 3 — Install gear racks

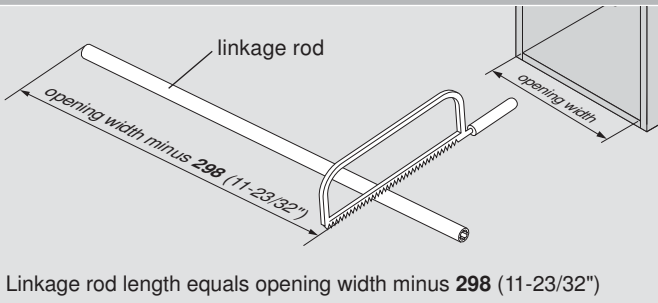
- 1 Insert locating tabs into cut-outs on bottom of runners
- 2 Slide backward to lock into place



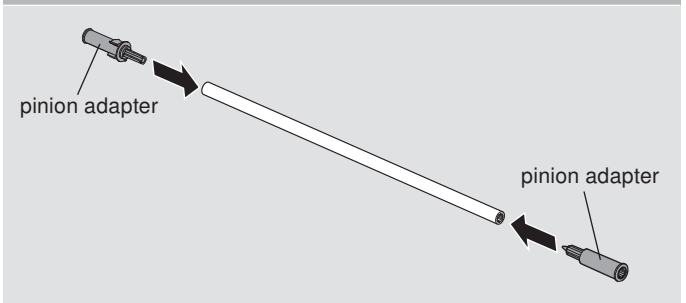
### Step 4 — Cut gear racks to length



### Step 5 — Cut linkage rod to length

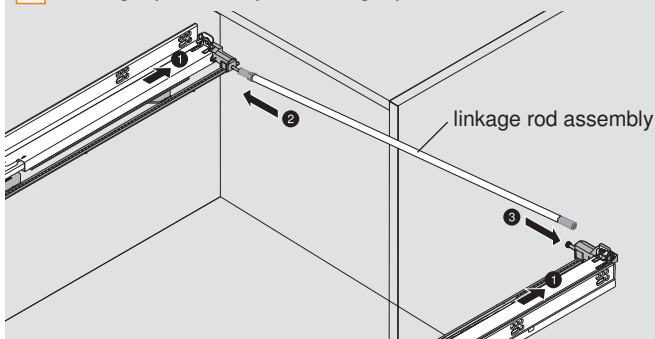


### Step 6 — Press pinion adaptors into linkage rod



### Step 7 — Install linkage rod assembly

- 1 Close drawer runners
- 2 Slide linkage rod assembly left onto left pinion
- 3 Slide right pinion adapter onto right pinion



### Step 8 — Install locking clips

Install locking clips on both adapters

