

# CLIP top bi-fold hinges

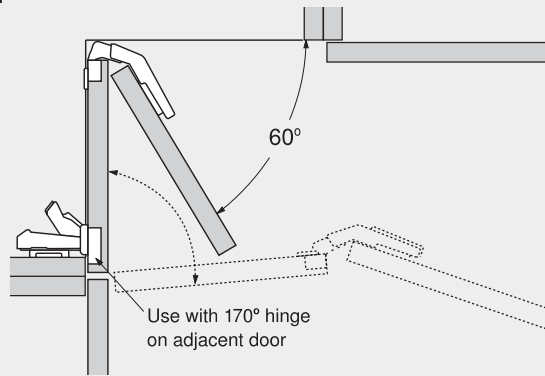


## Features


- New spiral tech side adjustment for door gap
- Spiral tech depth adjustment for in / out
- 60° opening angle
- 4-dimensional adjustment
- All metal hinge, nickel plated

## Application

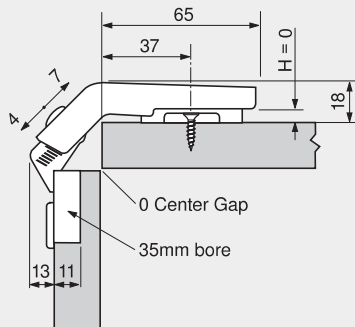
Inside corner



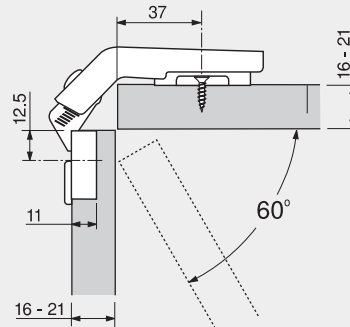
## Bi-fold hinges

	Self close
Screw-on	79T8500
Press-in 	79T8530

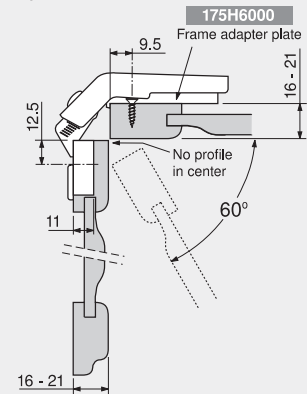
## General specifications



## With flat panel doors



## With profile doors



## Calculating door sizes

The doors for a CLIP top bi-fold application can be of equal or unequal width. To calculate the door width (DW) of each door:

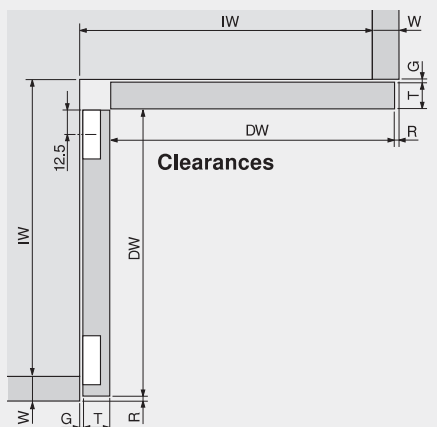
Step 1: Add the interior width (IW) to the side panel width (W).

Step 2: Subtract door thickness (T) and reveal (R).

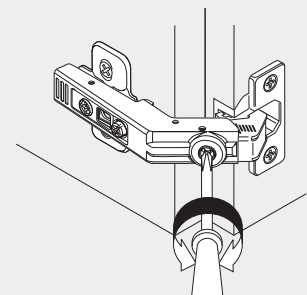
Step 3: Subtract gap (G) and bumper thickness behind adjacent door.

Formula:  $DW = (IW + W) - T - R - G$

Example:  $DW = (500 + 19) - 19 - 3 - 1$   
 $DW = 496\text{mm}$



## Adjustment



The new spiral tech cam adjustment of the CLIP top bi-fold hinge allows from +4mm to -7mm adjustment.