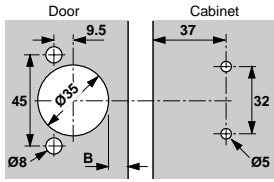
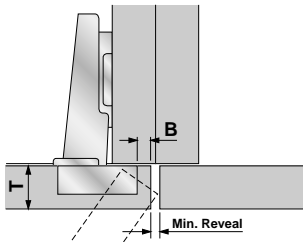


Boring Pattern



Minimum Reveal



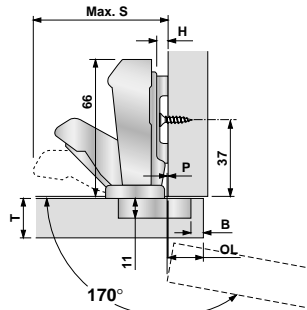
B	T	16	18	19	20	22	24
		3	0	0	0	0	0.2
4	0	0	0	0	0	0	1.4
5	0	0	0	0	0	0	0.9
6	0	0	0	0	0	0	0
7	0	0	0	0	0	0	0
8	0	0	0	0	0	0	0

Table applies to all applications

Cross reference the door thickness (T) to the boring distance (B) on your application to find the minimum reveal

Overlay Applications

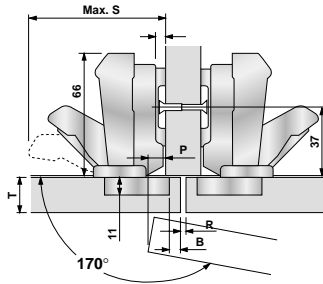
Straight Hinge



H Plate Ht.	B Bore Distance							Interior Clearance	
	3	4	5	6	7	8	P	S	
0	14	15	16	17	18	19	1.5	65	
3	11	12	13	14	15	16	4.5	68	
6	8	9	10	11	12	13	7.5	71	
9	5	6	7	8	9	10	10.5	74	

Fixed Distance (X) = 11

Half Cranked Hinge

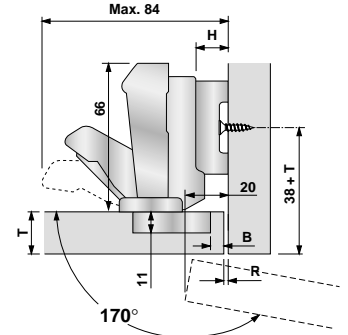


H Plate Ht.	B Bore Distance							Interior Clearance	
	3	4	5	6	7	8	P	S	
0	4.5	5.5	6.5	7.5	8.5	9.5	14	75	
3	1.5	2.5	3.5	4.5	5.5	6.5	14	78	
6		.5	1.5	2.5	3.5	17	81		

Fixed Distance (X) = 1.5

Inset Application

Half Cranked Hinge



H Plate Ht.	B Bore Distance					
	3	4	5	6	7	8
9	4.5	3.5	2.5	1.5	.5	-

Fixed Distance (X) = -7.5

Overlay (OL) = Boring Distance (B) + Fixed Distance (X) - Plate Height (H)
 $OL = B + X - H$

Swing Type

Cup Mount

Self-Closing

Screw-on

B071T6550

B071T6650

B071T6650

Press-in

B071T6580

B071T6680

B071T6680

INSERTA

B071T6540

B071T6640

B071T6640

Free-swinging

Screw-on

B070T6550

B070T6650

B070T6650

Press-in

B070T6580

B070T6680

B070T6680

INSERTA

B070T6540