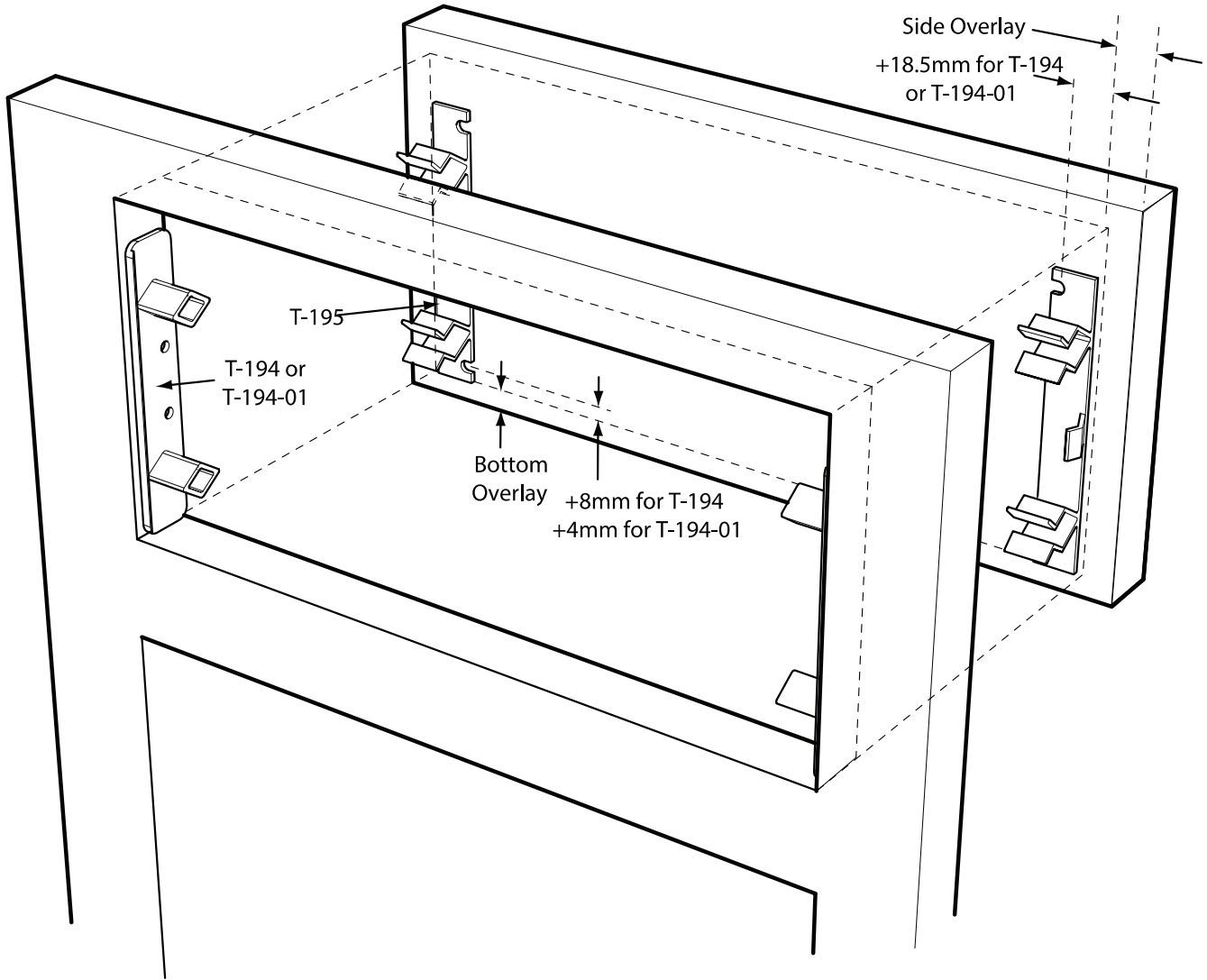


False Front Installation Instructions

T-194, T-194-01 & T-195





Installation Instructions

Read carefully before you begin installation

Dummy Drawer Front Fastener (DDF)

Provides a means to secure false drawer fronts to cabinet.

Contents

- 2 Sets DDF Fasteners
- 8 Screws

Tools Needed

- Ruler
- Straight Edge
- Pencil
- Screw Driver
- Drill
- 3/32" Drill Bit
- Safety Glasses

Procedure

1 Locate DDF Fastener Male on frame as shown. Place part against lower horizontal with the lip of the part overlapping the front edge of the frame. Drill pilot holes 3/32" diameter, 3/8" deep. Attach each part with 2 screws provided. See Figure 1.

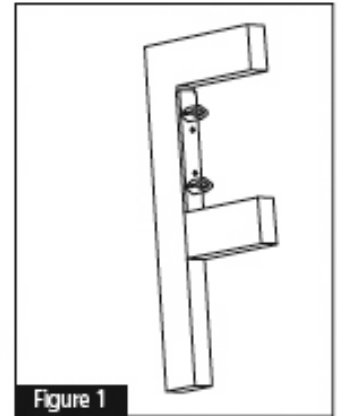


Figure 1

2 On the back side of the drawer front draw a line diagonally from corner to corner, 2 places. Draw a line at the intersection to locate the center of the drawer front, as shown. See Figure 2

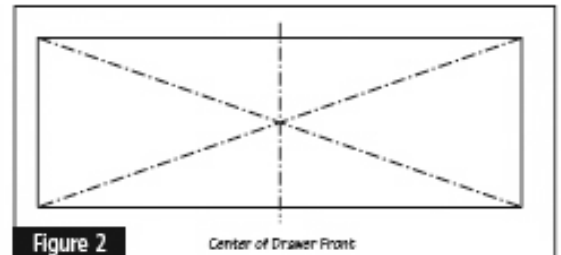


Figure 2

Center of Drawer Front

3 Measure the inside width of the drawer opening on the cabinet frame. Subtract 1/2" from this measurement then divide by 2. Mark a line on each side of the drawer front this distance from the center of the drawer front. See Figure 3.

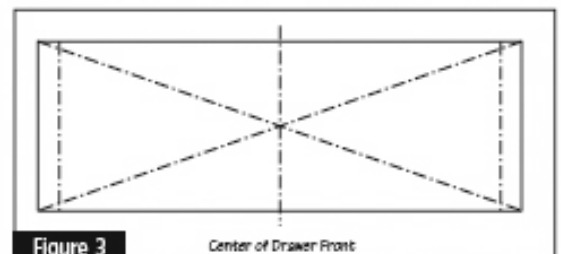


Figure 3

Center of Drawer Front

4 Measure up 1/8" from bottom edge of drawer front and draw a line parallel with bottom edge of the drawer front. Locate one DDF Fastener Female on each side of the drawer front with the edges on the inside of the lines along the sides and bottom of the drawer front, oriented as shown. Drill 3/32" diameter pilot holes, 3/8" deep and attach with screws provided. See Figure 4.

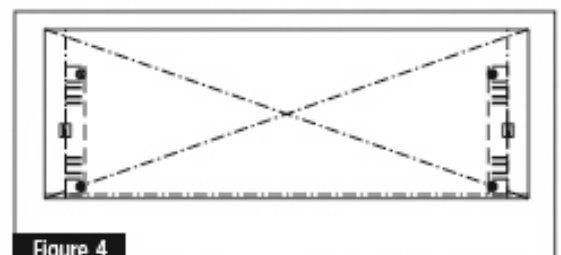


Figure 4

5 Attach drawer front to cabinet by pressing the DDF Fastener Female that is attached to the drawer front over the DDF Fastener Male part that is attached to the cabinet frame. See Figure 5.



Figure 5