



Full Extension Soft-Close Undermount Drawer Slide

SPECIFICATIONS

- Number:** Full Extension Soft-Close Undermount Drawer Slide
- Mounting:** Side, for Frame or Frameless Construction
- Height:** 1-7/8"
- Load Rating:** 75-Pound Class
- Finish:** Zinc
- Travel:** Full Extension
- Sizes:** 9", 10", 12", 14", 15", 16", 18", 20", 21", 22"
- Packaged:** Bulk (B): 6 Sets per Carton. Includes Front Release Levers (14"+).
Bulk (B): 4 Sets per Carton. Includes Front Release Levers (9", 10", 12").
- Rear Brackets:** MUV-RBM Metal Rear Bracket (for use on 14", 15", 16", 18", 20", 21", 22" Slides). 12 Brackets (Unhanded).
MUV-RBP Plastic Rear Brackets (for use with 9", 10", 12" Slides). 8 Brackets (4 Right Hand, 4 Left Hand).
- Fasteners:** MUV-122: #7 x 5/8" Flat Head Screw – Slide
MUV-123: #6 x 1/2" Truss Head Screw – Front Release Levers and Rear Bracket
- Install Jig:** MUV-121

Material Thickness

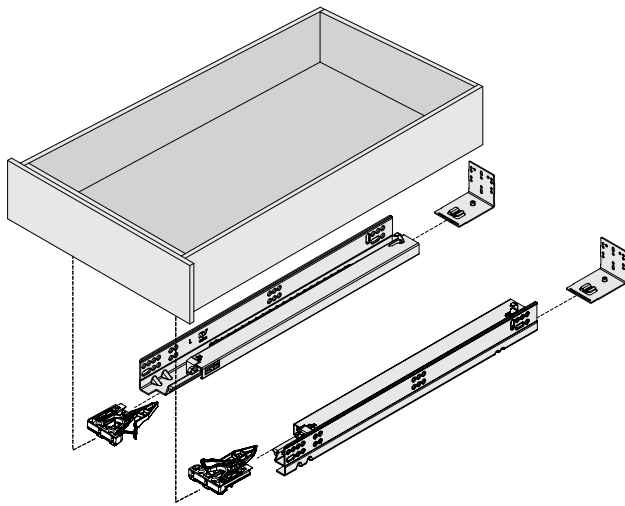
For use with the following material thicknesses:

5/8" [16mm]

9/16" [14mm]

1/2" [13mm]

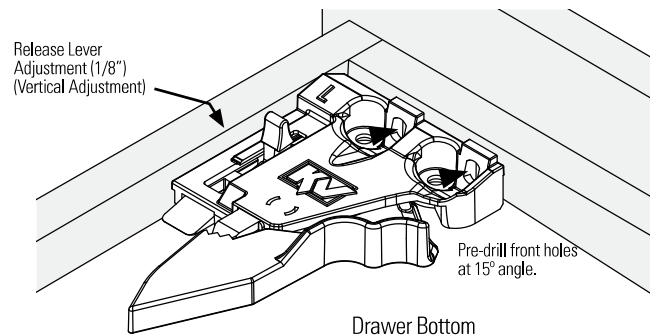
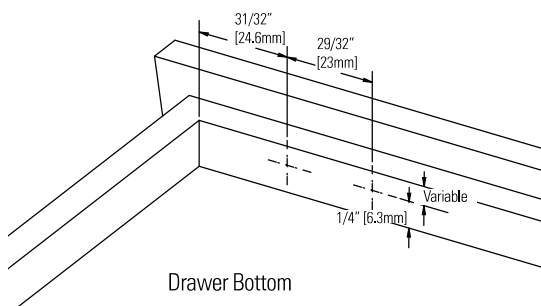
DRAWER ASSEMBLY



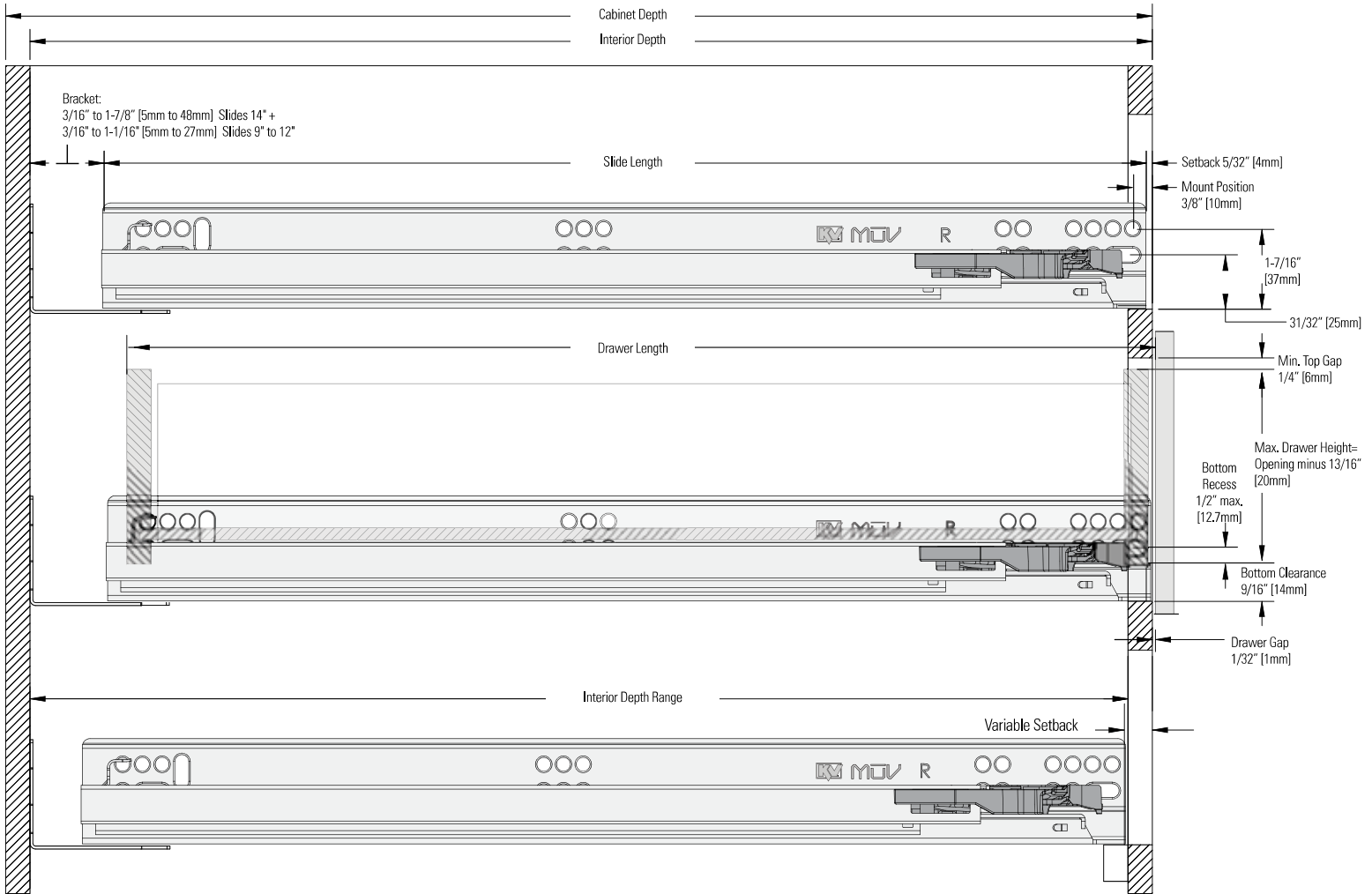
Optimal Operation Guidelines for Drawer Width Based on Drawer Height:

Drawer Height up to 6":	Max. Width = Slide Length + 10"
Drawer Height Greater than 6":	Max. Width = Slide length + 10" or 28", whichever is less
Drawer Height Greater than 8":	Max. Width = Slide Length + 10" or 24", whichever is less
Drawer Height Greater than 10":	Max. Width = Slide Length + 10" or 21", whichever is less

DRAWER HARDWARE INSTALLATION



FACE FRAME APPLICATIONS [WITH DECORATIVE FRONT]



Face Frame Inset Application

Rear Slide Detail

Slide Front Detail

Setback

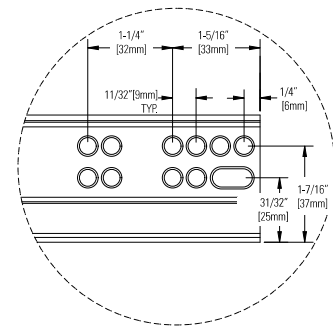
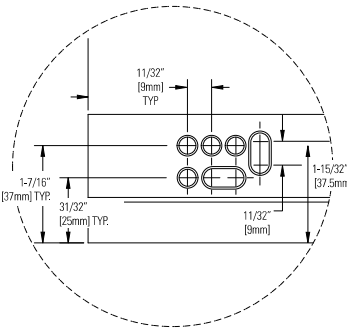
Setback = Drawer Front Thickness + 3/16" [5mm]

Depth Range

Min. = Slide Length + Setback + 3/16" [5mm]

Max. = Slide Length + Setback + 1-15/16" [49.2mm] Slides 14"+

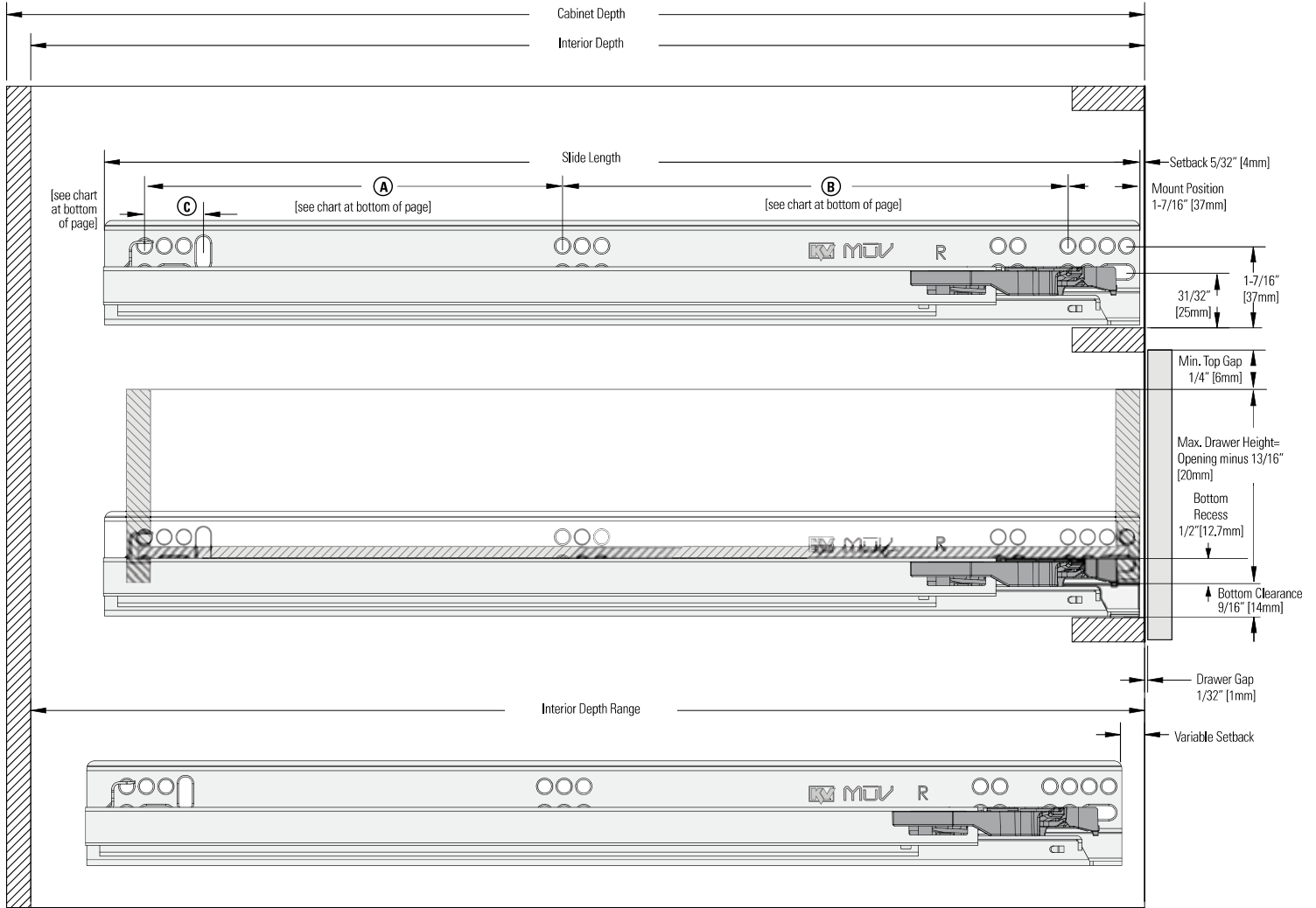
Max. = Slide Length + Setback + 1-1/16" [27mm] Slides 9", 10", 12"



SLIDE	CABINET DEPTH	SLIDE LENGTH	DRAWER LENGTH	MAX INTERIOR DEPTH	MIN INTERIOR DEPTH	MAX. MATERIAL THICKNESS	SETBACK
MUV 22	24" [610mm]*	22.4" [569mm]	22" [559mm]	24-9/16" [624mm]	22-7/8" [581mm]	5/8" [16mm]	5/32" [4mm]
MUV 21	24" [610mm]	21.4" [544mm]	21" [533mm]	23-9/16" [598mm]	21-7/8" [555mm]	5/8" [16mm]	5/32" [4mm]
MUV 20	24" [610mm]*	20.4" [518mm]	20" [508mm]	22-9/16" [573mm]	20-7/8" [530mm]	5/8" [16mm]	5/32" [4mm]
MUV 18	21" [533mm]	18.4" [467mm]	18" [457mm]	20-9/16" [522mm]	18-7/8" [479mm]	5/8" [16mm]	5/32" [4mm]
MUV 16	21" [533mm]*	16.4" [417mm]	16" [406mm]	18-9/16" [472mm]	16-7/8" [429mm]	5/8" [16mm]	5/32" [4mm]
MUV 15	18" [457mm]	15.4" [391mm]	15" [381mm]	17-9/16" [446mm]	15-7/8" [403mm]	5/8" [16mm]	5/32" [4mm]
MUV 14	18" [457mm]*	14.4" [366mm]	14" [356mm]	16-9/16" [421mm]	14-7/8" [378mm]	5/8" [16mm]	5/32" [4mm]
MUV 12	15" [381mm]	12.4" [315mm]	12" [305mm]	13-3/4" [349mm]	12-3/4" [324mm]	5/8" [16mm]	5/32" [4mm]
MUV 10	12" [305mm]	10.15" [258mm]	10" [254mm]	11-3/4" [298mm]	10-3/4" [273mm]	5/8" [16mm]	5/32" [4mm]
MUV 9	12" [305mm]	10.15" [258mm]	9" [229mm]	11-3/4" [298mm]	10-3/4" [273mm]	5/8" [16mm]	5/32" [4mm]

* When using rear bracket at maximum extension.

FRAMELESS APPLICATIONS [WITH DECORATIVE FRONT]



Frameless Inset Application

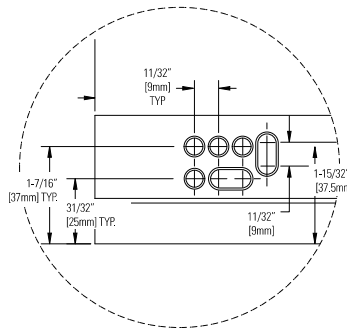
Setback

Setback = Drawer Front Thickness + 3/16" [5mm]

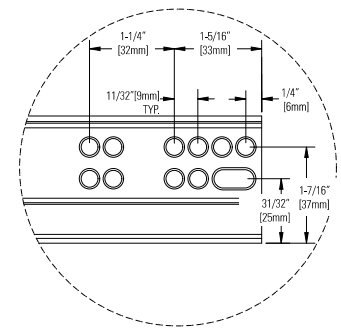
Min. Interior Depth

Min. = Slide Length + Setback + 1/8" [3mm]

Rear Slide Detail

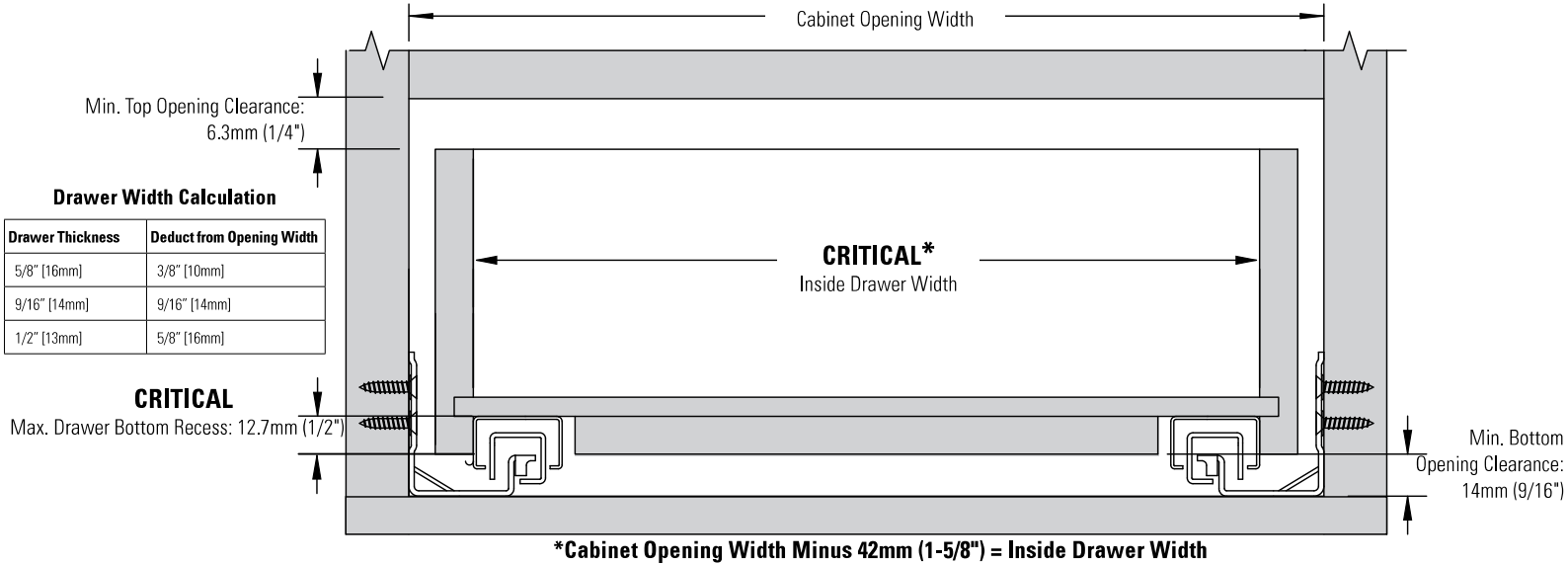


Slide Front Detail



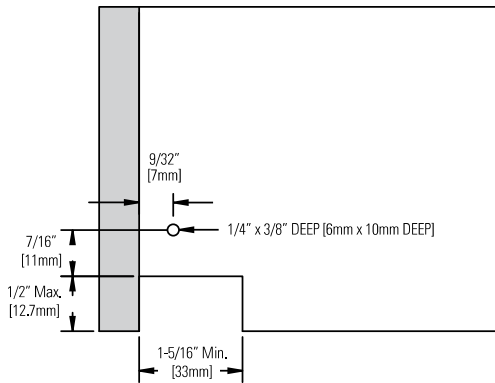
SLIDE	CABINET DEPTH	MIN INTERIOR DEPTH	SLIDE LENGTH	DRAWER LENGTH	A	B	C	MAX. MATERIAL THICKNESS	SETBACK
MUV 22	24" [610mm]	22-3/4" [578mm]	22.4" [569mm]	22" [559mm]	10-5/64" [256mm]	8-13/16" [224mm]	23/32" [18mm]	5/8" [16mm]	5/32" [4mm]
MUV 21	24" [610mm]	21-3/4" [553mm]	21.4" [544mm]	21" [533mm]	10-5/64" [256mm]	8-13/16" [224mm]	23/32" [18mm]	5/8" [16mm]	5/32" [4mm]
MUV 20	21" [533mm]	20-3/4" [527mm]	20.4" [518mm]	20" [508mm]	8-13/16" [224mm]	8-13/16" [224mm]	23/32" [18mm]	5/8" [16mm]	5/32" [4mm]
MUV 18	21" [533mm]	18-7/8" [479mm]	18.4" [467mm]	18" [457mm]	7-9/16" [192mm]	8-13/16" [224mm]	23/32" [18mm]	5/8" [16mm]	5/32" [4mm]
MUV 16	18" [457mm]	16-3/4" [425mm]	16.4" [417mm]	16" [406mm]	5-1/32" [128mm]	8-13/16" [224mm]	23/32" [18mm]	5/8" [16mm]	5/32" [4mm]
MUV 15	18" [457mm]	15-7/8" [403mm]	15.4" [391mm]	15" [381mm]	7-9/16" [192mm]	5-1/32" [128mm]	23/32" [18mm]	5/8" [16mm]	5/32" [4mm]
MUV 14	15" [381mm]	14-3/4" [375mm]	14.4" [366mm]	14" [356mm]	7-9/16" [192mm]	5-1/32" [128mm]	23/32" [18mm]	5/8" [16mm]	5/32" [4mm]
MUV 12	15" [381mm]	12-7/8" [326mm]	12.4" [315mm]	12" [305mm]	3-25/32" [96mm]	5-1/32" [128mm]	23/32" [18mm]	5/8" [16mm]	5/32" [4mm]
MUV 10	12" [305mm]	10-3/4" [273mm]	10.15" [258mm]	10" [254mm]	3-25/32" [96mm]	3-25/32" [96mm]	23/32" [18mm]	5/8" [16mm]	5/32" [4mm]
MUV 9	12" [305mm]	10-3/4" [273mm]	10.15" [258mm]	9" [229mm]	3-25/32" [96mm]	3-25/32" [96mm]	23/32" [18mm]	5/8" [16mm]	5/32" [4mm]

DRAWER DIMENSIONS FOR FACE FRAME AND FRAMELESS APPLICATIONS

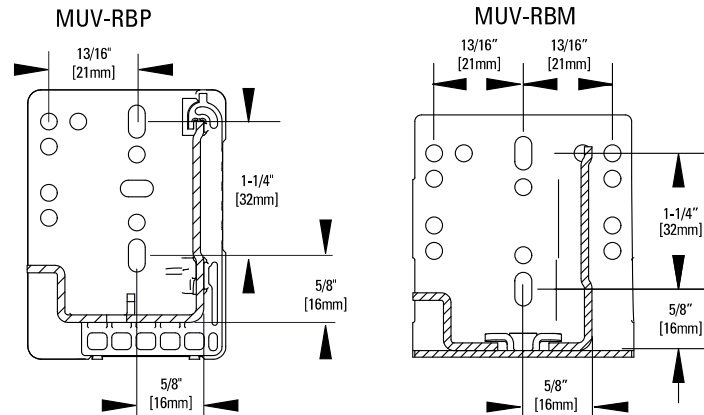


MuV Maximum Drawer Side Material Thickness: 16mm (5/8")
Use Muv34 for Drawer Material from 16mm (5/8") to 19mm (3/4")

Drawer Notch & Bore



Rear Brackets



KNAPE & VOGT LIMITED LIFETIME WARRANTY FOR COMMERCIAL PRODUCTS

This warranty is given to the initial purchaser of new commercial products purchased from Knappe & Vogt and its subsidiaries. The warranty covers defects in materials and workmanship. The warranty does not apply to defects resulting from misuse, damage or abuse, normal wear and tear, accident, modification, improper installation or maintenance, third party materials or damage during shipping. The warranty is not transferable and does not cover any subsequent purchasers of the products. During the Limited Lifetime Warranty period, Knappe & Vogt, will, at its option, repair or replace any defective product with a comparable product or component. This Limited Warranty is for repair or replacement of defective products only and does not cover any other costs such as removal, installation, or other related expenses. For warranty service, please contact Knappe & Vogt, 2700 Oak Industrial Drive, Grand Rapids, MI 49505, Attention: Customer Service. Information regarding the claimed defect and date of purchase of the product must be provided. Any defective product must be returned postage or freight prepaid to Knappe & Vogt. THIS LIMITED WARRANTY CONSTITUTES THE ONLY WARRANTY FOR THE PRODUCTS AND ALL OTHER WARRANTIES OR REPRESENTATIONS, EXPRESS OR IMPLIED, BY OPERATION OF LAW OR OTHERWISE, INCLUDING BUT NOT LIMITED TO ANY IMPLIED WARRANTY OF MERCHANTABILITY OR FITNESS FOR A PARTICULAR PURPOSE, ARE HEREBY EXPRESSLY DISCLAIMED. THIS LIMITED WARRANTY CONSTITUTES THE SOLE REMEDY AVAILABLE WITH REGARD TO ANY DEFECTIVE PRODUCTS. KNAPE & VOGT SHALL NOT BE LIABLE FOR ANY INCIDENTAL, INDIRECT, CONSEQUENTIAL OR SPECIAL DAMAGES, INCLUDING WITHOUT LIMITATION, LOSS OF TIME, INCONVENIENCE, OR LOST REVENUES OR PROFITS.

Copyright © 2006 Knappe & Vogt, all rights reserved. Standard KV Commercial Warranty (Rev No.2, 9/23/05)



KNAPE & VOGT

2700 Oak Industrial Drive NE Grand Rapids, MI 49505
 800.253.1561 • 616.459.3311 • fax 616.459.3290 www.kv.com