

TANDEM plus BLUMOTION 569R – heavy duty bottom mount runners

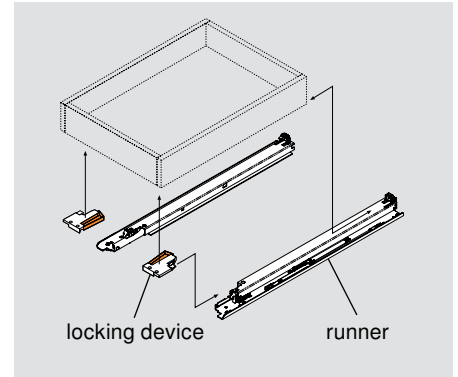
Application



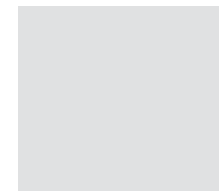
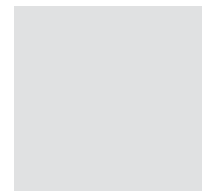
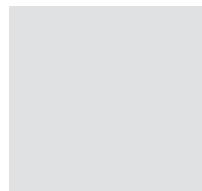
Description

- Full extension bottom mount concealed drawer runners with BLUMOTION
- For face frame and panel applications
- Tool-free height and tilt adjustment
- Concealed roller carriages with permanently lubricated synthetic rollers create a smooth running action
- Locking devices enable easy drawer insertion and removal
- 125 lb static, 110 lb dynamic load capacity

Basic components



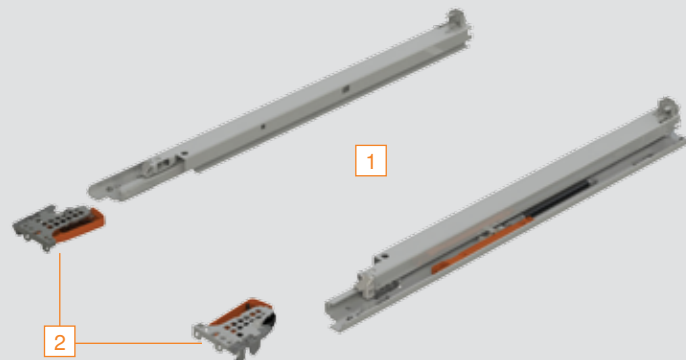
Applications



Components

TANDEM plus BLUMOTION bottom mount runner set

One set required per drawer



Set includes:

- 1 TANDEM plus BLUMOTION heavy duty runner set with #6 x 5/8" wood screws for installation (qty 10)
 - 2 Standard locking device (qty 2) with #6 x 5/8" wood screws for installation (qty 4)
- Installation instructions

Interior roll-outs and roll-out shelf applications must be mounted to the bottom of the cabinet or to a fixed shelf/panel

Overall cabinet depth	Drawer length	TANDEM plus BLUMOTION set
610 (24")	533 (21")	569R5330B

NOTE: These runners are for 16 (5/8") maximum drawer side thickness

NOTE: Rear brackets and sockets cannot be used. Cabinet bottom must be flush with top surface of bottom rail unless bottom mount spacers are used.

Bottom mount spacer



Used to install bottom mount 569R runners in cabinets with a bottom recess of up to 6 (1/4")

Part no.

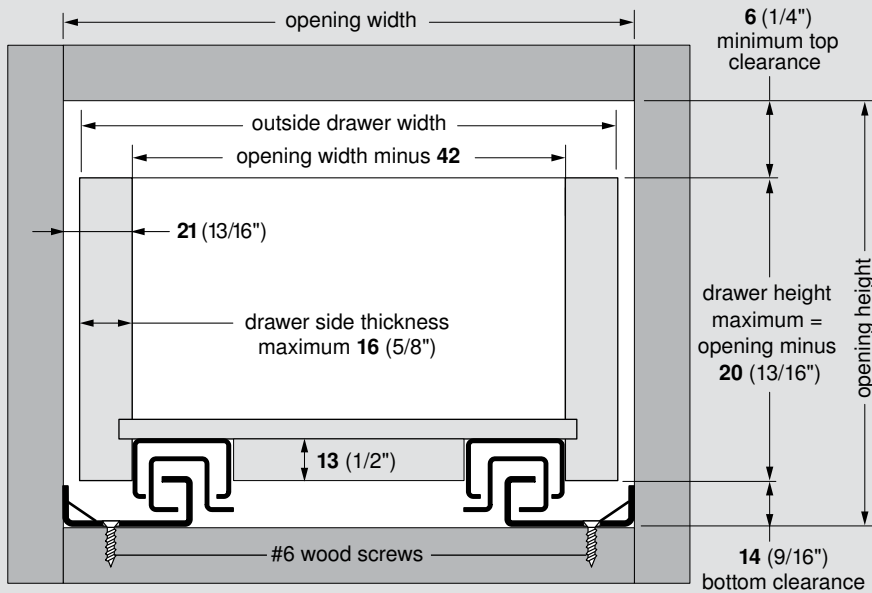
Bottom mount spacer	T59.T570
Wood screw for installation	606W

Specifications

Drawer and cabinet specifications

Drawer box specifications

Front view



NOTE: Drawer side material thickness may vary. Precise measurement of drawer side material thickness should be used when calculating outside drawer width using the table below. Inside drawer width **must** equal opening width minus 42 (1-21/32") for TANDEM to align and function optimally.

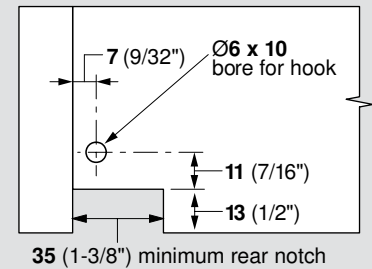
Calculating outside drawer width

For drawer side thickness	16 (5/8")	15 (19/32")	14 (9/16")	13 (1/2")	12 (15/32")
Deduct from opening width	10 (13/32")	12 (15/32")	14 (9/16")	16 (5/8")	18 (23/32")

Example: For 21" opening width and a 5/8" thick drawer, 21" minus 3/8" = 20-5/8" drawer width

Drawer back preparation

Rear view



Runner comparison

Side view

569R – No vertical profile

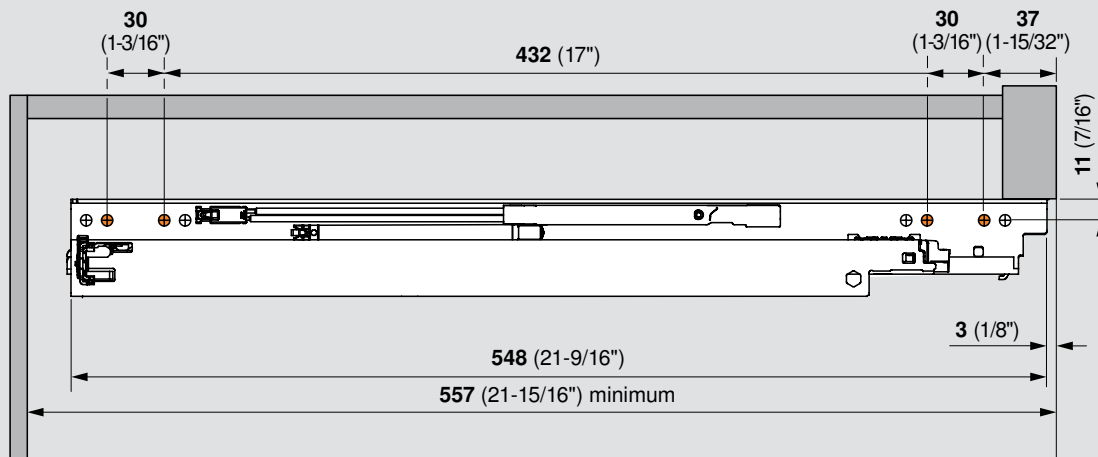


569H – Vertical profile



Runner mounting specifications

Top view



NOTE: Orange dots indicate screw locations required to meet specified load capacities (minimum 4 screws)