



# File Frame. Hanging file system kits.

## File Frame kits for varying drawer box dimensions

- ◆ Versatile, can be used with wood or metal drawer box systems
- ◆ Each kit supplied with the components for front to back and side to side filing
- ◆ Fits drawer boxes up to 26" deep
- ◆ Works with both 3 & 4 sided drawer boxes
- ◆ Easy to install
- ◆ File rails snap into place and adjust easily between filing configurations
- ◆ Proven design and durability
- ◆ Combine two kits for lateral drawers
- ◆ Attractive black finish
- ◆ Letter & Legal size kits available
  - ▷ FF-SK2 for letter width drawers
  - ▷ FF-SK3 for legal width drawers

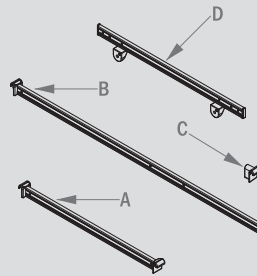
Only from **CompX Security Products**, the one-stop cabinet lock supplier.



# File Frame. Hanging file system kits.

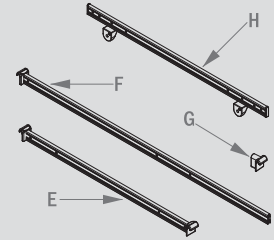
CompX Timberline File Frame kits provide an easy-to-install filing system which will accommodate any drawer size.

Kits contain all components needed to file front-to-back or side-to-side in properly sized drawers.



**FF-SK2**

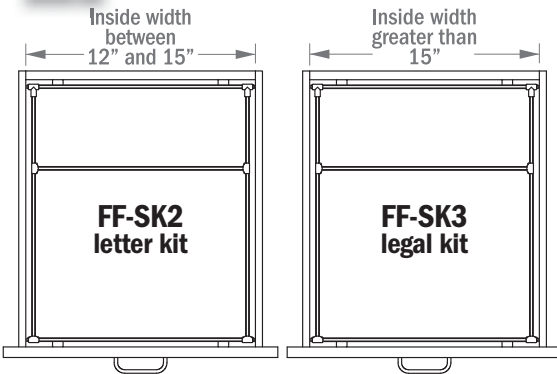
- A: Side-to-side rail; FF-LET; 1 per kit
- B: Cut to size cross rail; FF-SKA-25.000; 2 per kit
- C: Cut to size bracket; FF-R25; 2 per kit
- D: Front and back rail; FF-1FL-13.153; 2 per kit



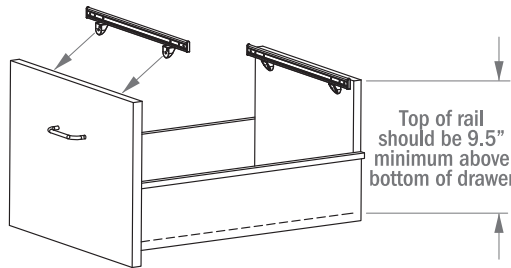
**FF-SK3**

- E: Side-to-side rail; FF-LEG; 1 per kit
- F: Cut to size cross rail; FF-SKA-25.000; 2 per kit
- G: Cut to size bracket; FF-R25; 2 per kit
- H: Front and back rail; FF-1FL-16.153; 2 per kit

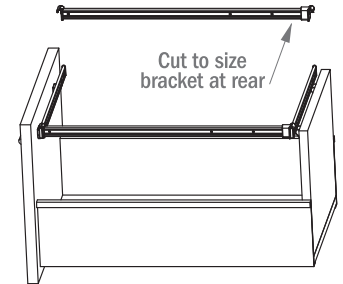
**Step 1: Determine kit needed**



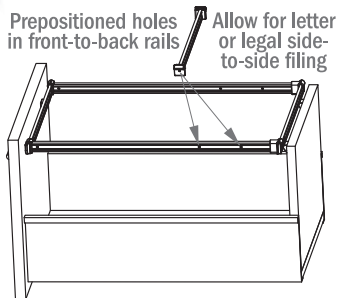
**Step 2: Attach fixed rail**



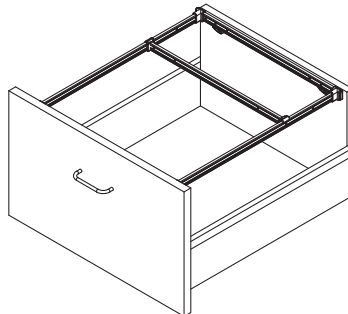
**Step 3: Size, cut and install rails**



**Step 4: Install side-to-side rail**



**Step 5: And the file system is complete**



For more information, or to see file frame installation videos, please visit:  
<http://compX.com/timberline.html>

**For lateral files, use two kits to maximize filing space.**

For wide lateral file type drawers, with an inside width of **26"** or more, two **FF-SK-2 letter kits** can be used side by side to maximize filing.

For wide lateral file type drawers, with an inside width of **32"** or more, two **FF-SK-3 legal kits** can be used side by side to maximize filing.

