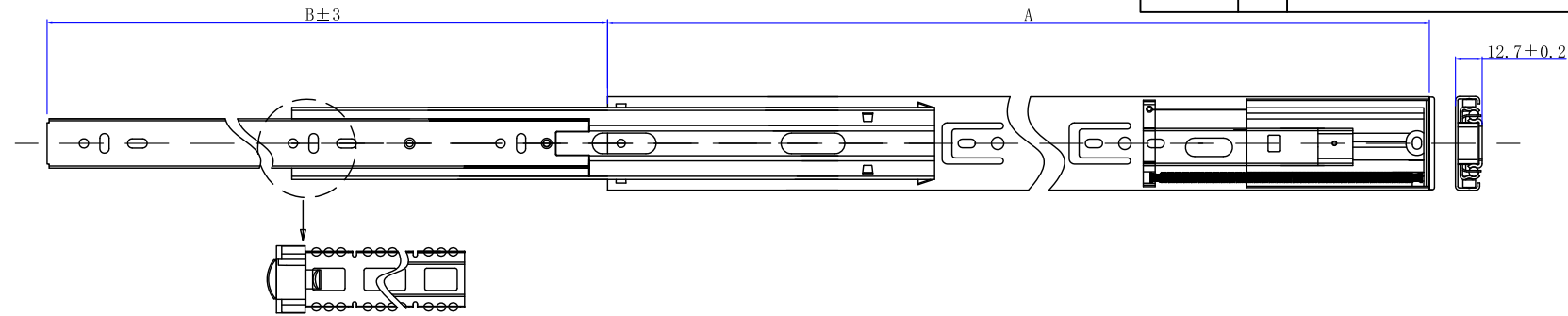


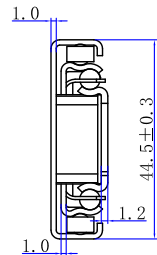
THE INFORMATION CONTAINED IN THIS DRAWING IS THE SOLE PROPERTY OF HARDWARE RESOURCES INC. ANY REPRODUCTION IN PART OR AS A WHOLE WITHOUT THE WRITTEN PERMISSION OF HARDWARE RESOURCES INC. IS PROHIBITED.

R E V I S I O N S

ECO	REV	DESCRIPTION	DATE	APPROVED



28"	700	704	268	12	27N	20KG
26"	650	654	235	11	27N	20KG
24"	600	604	213	10	27N	20KG
22"	550	554	192	9	25N	25KG
20"	500	504	162	8	25N	25KG
18"	450	454	142	7	25N	28KG
16"	400	404	127	5	23N	25KG
14"	350	350	113	4	23N	20KG
12"	300	288	80	3	23N	18KG
Size	A	B	Ball Strip	Frame (PCS)	Tension (Each) ±2N	Load test 50000Times
DIM.	0~3mm	3~10mm	10~30mm	30~		
Tolerance	±0.05mm	±0.10mm	±0.3mm	±0.5mm	MARK	REV.
					DESCRIPTION	BY



UNLESS OTHERWISE SPECIFIED DIM ARE IN MILLIMETERS (mm)	
GENERAL TOLERANCES	
0.00 - 14.99	±0.10
15.00 - 39.99	±0.20
40.00 - 74.99	±0.30
75.00 - 99.99	±0.45
100.00 - 199.99	±0.70
200.00 - 299.99	±1.00
300.00 -	±1.10
ANGLE	±1.0

THIRD ANGLE PROJECTION	
MATERIAL	FINISH
DRAWN BY	DATE
Peter Wen	14-11-03
DESIGNED BY	DATE
APPROVED BY	DATE

**hardware resources**

TITLE  
Full Extension Soft Close Ball Bearing Slide

DRAWING NUMBER  
303FUSFT

REV  
proire  
vision

SIZE  
A3

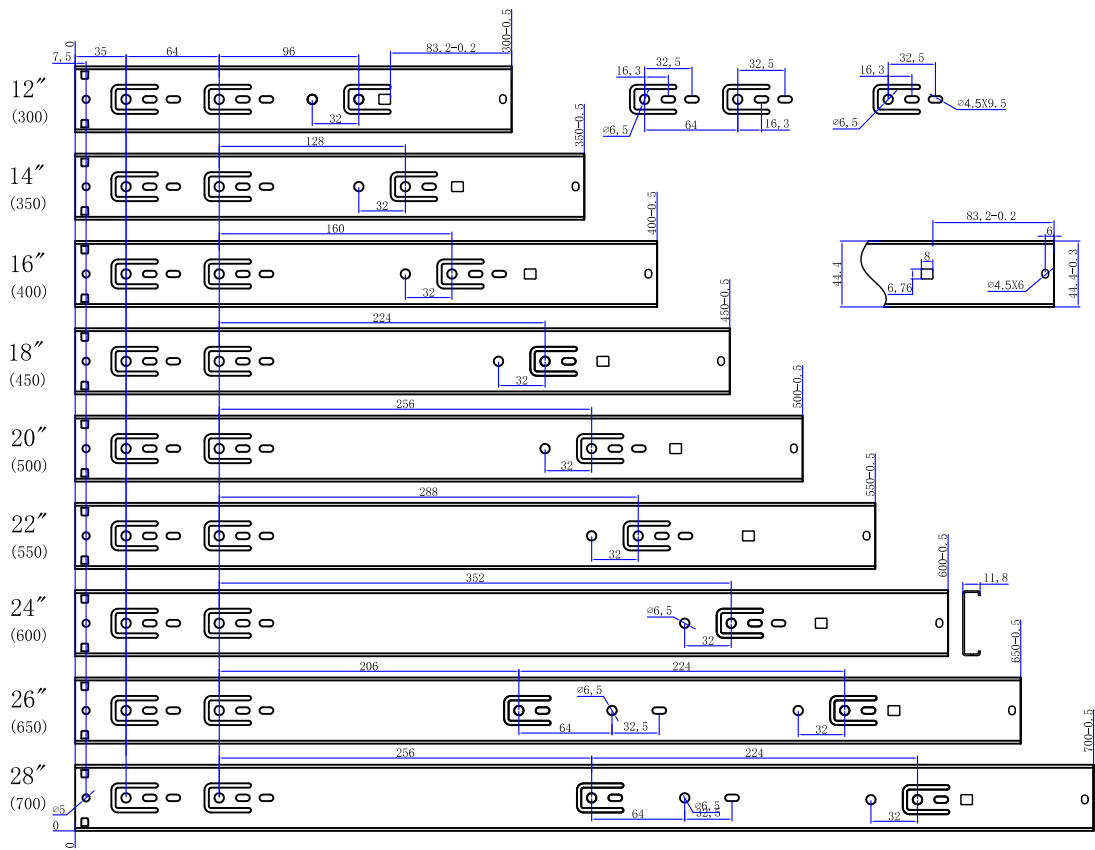
RELEASE LEVEL  
SCALE 1:1

SHEET 1 OF 3

8 | 7 | 6 | 5 | 4 | 3 | 2 | 1

THE INFORMATION CONTAINED IN THIS DRAWING IS THE SOLE PROPERTY OF HARDWARE RESOURCES INC. ANY REPRODUCTION IN PART OR AS A WHOLE WITHOUT THE WRITTEN PERMISSION OF HARDWARE RESOURCES INC. IS PROHIBITED.

R E V I S I O N S				
ECO	REV	DESCRIPTION	DATE	APPROVED



DIM.	0 ~ 3mm	3 ~ 10mm	10 ~ 30mm	30 ~
Tolerance	±0.05mm	±0.10mm	±0.3mm	±0.5mm

UNLESS OTHERWISE SPECIFIED DIM ARE IN MILLIMETERS (mm)	
GENERAL TOLERANCES	
0.00 - 14.99	±0.10
15.00 - 39.99	±0.20
40.00 - 74.99	±0.30
75.00 - 99.99	±0.45
100.00 - 199.99	±0.70
200.00 - 299.99	±1.00
300.00 -	±1.10
ANGLE	±1.0

THIRD ANGLE PROJECTION	
MATERIAL	FINISH
DRAWN BY	DATE
<i>Peter Wen</i>	14-11-03
DESIGNED BY	DATE
APPROVED BY	DATE

**hardware resources**

TITLE  
Full Extension Soft Close Ball Bearing Slide

DRAWING NUMBER: 303FUSFT  
REV: proi\_re vision

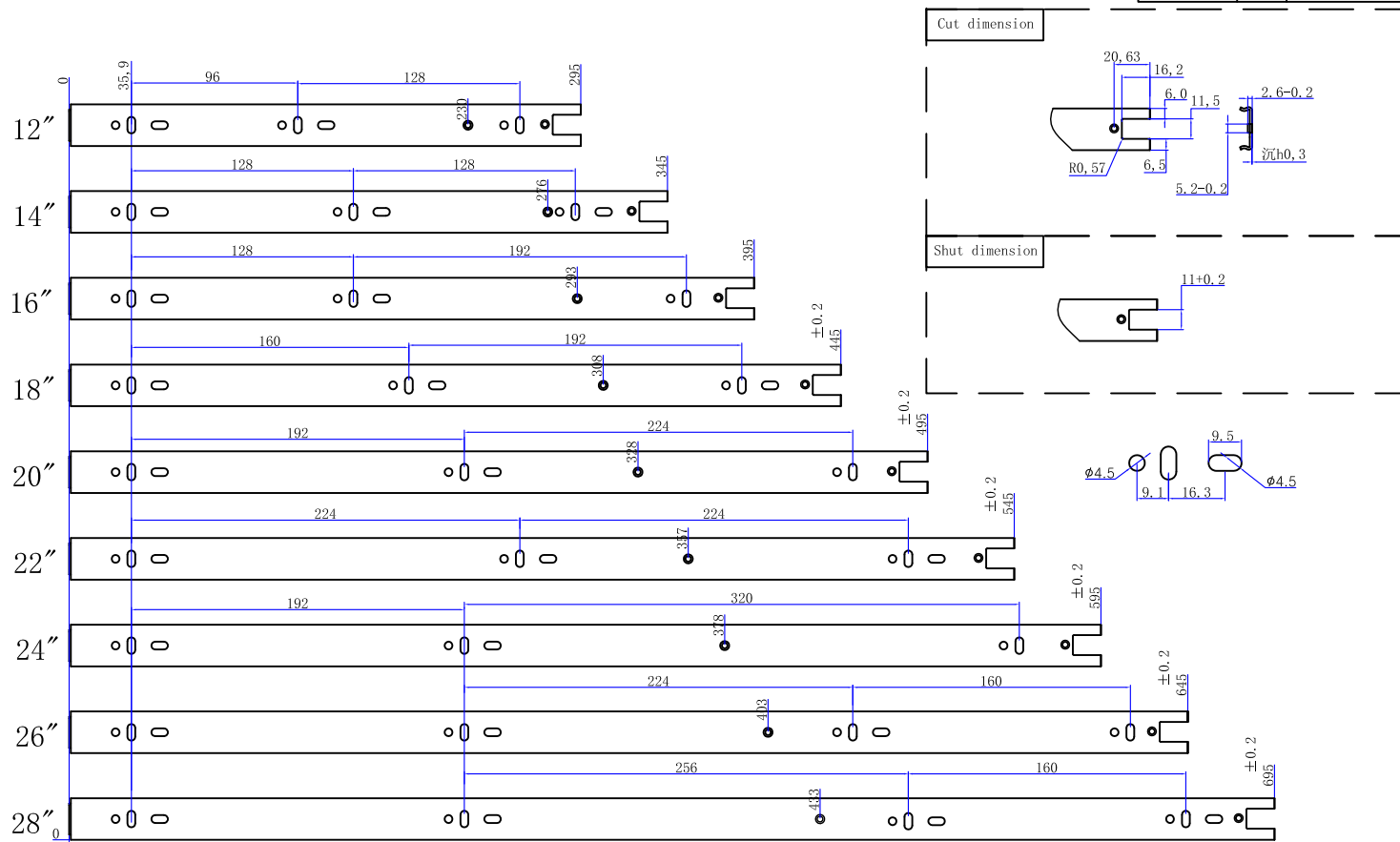
SIZE: A3  
SCALE: 1:1  
SHEET: 2 OF 3

8 | 7 | 6 | 5 | 4 | 3 | 2 | 1

THE INFORMATION CONTAINED IN THIS DRAWING IS THE SOLE PROPERTY OF HARDWARE RESOURCES INC. ANY REPRODUCTION IN PART OR AS A WHOLE WITHOUT THE WRITTEN PERMISSION OF HARDWARE RESOURCES INC. IS PROHIBITED.

R E V I S I O N S

ECO	REV	DESCRIPTION	DATE	APPROVED



DIM.	0 ~ 3mm	3 ~ 10mm	10 ~ 30mm	30 ~
Tolerance	±0.05mm	±0.10mm	±0.3mm	±0.5mm

UNLESS OTHERWISE SPECIFIED DIM ARE IN MILLIMETERS (mm)

GENERAL TOLERANCES	
0.00 - 14.99	±0.10
15.00 - 39.99	±0.20
40.00 - 74.99	±0.30
75.00 - 99.99	±0.45
100.00 - 199.99	±0.70
200.00 - 299.99	±1.00
300.00 -	±1.10
ANGLE	±1.0

THIRD ANGLE PROJECTION	
MATERIAL	FINISH
DRAWN BY	DATE
Peter Wen	14-11-03
DESIGNED BY	DATE
APPROVED BY	DATE

**hardware resources**

TITLE

Full Extension Soft Close Ball Bearing Slide

DRAWING NUMBER: 303FUSFT

REV: proi\_revision

SIZE: A3

RELEASE LEVEL: 1:1

SHEET: 3 OF 3